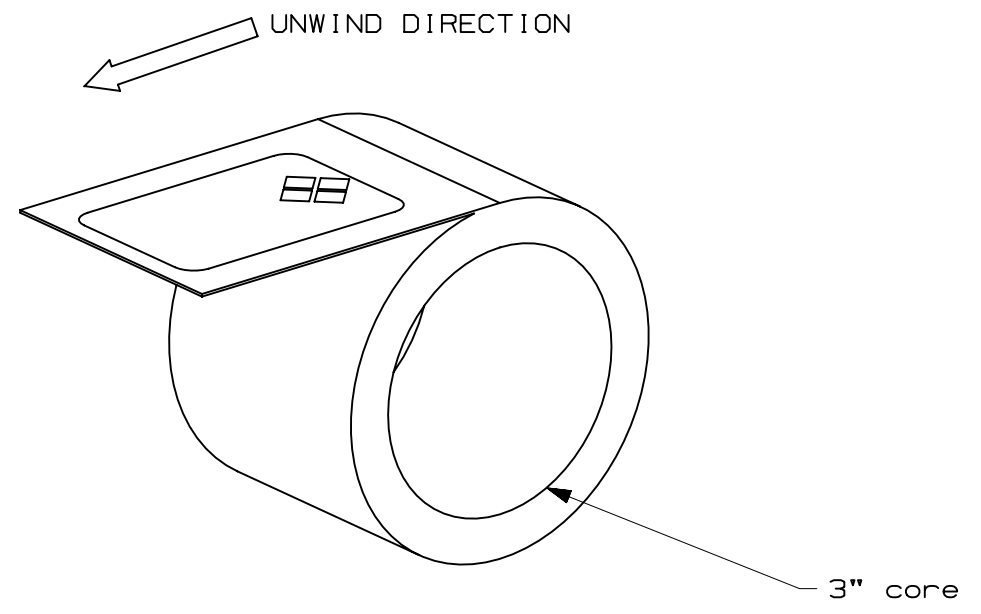
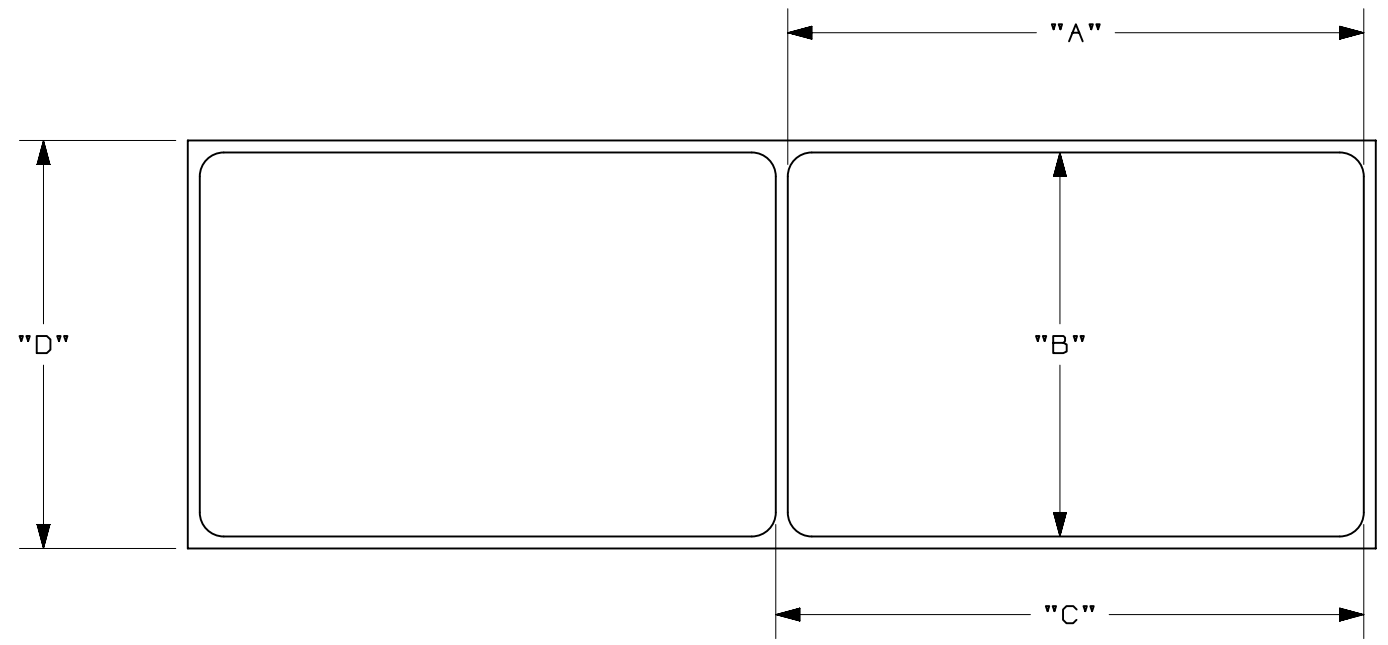


THIS COPY IS PROVIDED ON A RESTRICTED BASIS AND IS NOT TO BE USED IN ANY WAY DETRIMENTAL TO THE INTERESTS OF PANDUIT CORP.

PART NUMBER	DIM "A"	DIM "B"	REPEAT DIM "C"	DIM "D"	LEGEND
C400X200YPT-G1	4.00 [101.6]	2.00 [50.8]	4.13 [104.78]	2.25 [57.15]	1 DIAMOND
C400X200YPT-G2					2 DIAMONDS
C400X200YPT-G3					3 DIAMONDS
C400X200YPT-G4					4 DIAMONDS
C400X400YPT-G1	4.00 [101.6]	4.00 [101.6]	4.13 [104.78]	4.25 [107.95]	1 DIAMOND
C400X400YPT-G2					2 DIAMONDS
C400X400YPT-G3					3 DIAMONDS
C400X400YPT-G4					4 DIAMONDS
C400X600YPT-G1	6.00 [152.4]	4.00 [101.6]	6.13 [155.58]	4.25 [107.95]	1 DIAMOND
C400X600YPT-G2					2 DIAMONDS
C400X600YPT-G3					3 DIAMONDS
C400X600YPT-G4					4 DIAMONDS

NOTES:
 1. [] DENOTE MILLIMETERS
 2. VISIT WWW.PANDUIT.COM FOR LEGEND IMAGE
 3. 250 LABELS PER ROLL



						TITLE GHS PRINT-ON DIAMOND LABELS	
						CUSTOMER DRAWING	
						ITEM REVISION NAME 12119GA/01	
						DATASET FILE NAME 12119GA_DC_C11080/01A	
						UNLESS OTHERWISE SPECIFIED, DIMENSIONAL TOLERANCES ARE: IN [mm]	
						.x ± .1 [2.54] .xxx ± .032 [.8]	
						.xx ± .063 [1.6] ANGLES ± 5 °	
00	10/1/13	JHAC	KLN	CLW	DRAWING RELEASE	GAECN0126	MATERIAL: GMY4-HT
						DRAWING NUMBER: C11080	
REV	DATE	BY	CHK	APR	DESCRIPTION	ECN	DRAWN BY JHAC
							DATE 9/16/13
							CHK KLN
							SCALE 1:2
							THIRD ANGLE PROJECTION
							SIZE B
							SHT 1 OF 1