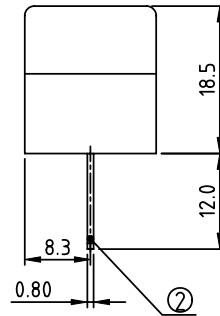
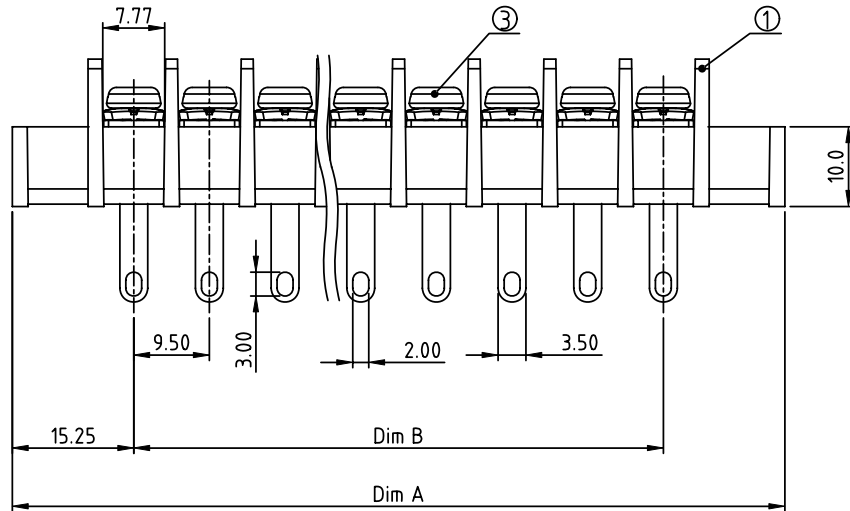
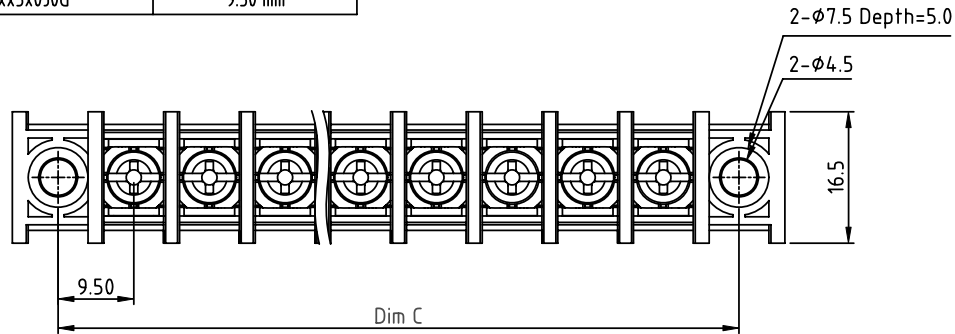


PRODUCT NUMBER	PITCH
YK512xx3x0J0G	9.50 mm



MATERIALS & ELECTRICAL
 RATED VOLTAGE & CURRENT: 300 V, 30A
 WITHSTAND VOLTAGE: AC 2000 V/Min
 INSULATION RESISTANCE: 1000 MΩ OR MORE AT DC 500 V
 OPERATING TEMPERATURE RANG: -40 °C ~ +115 °C
 SCREW TORQUE VALUE: 8.8 Lb-In.
 WIRE RANGE: 10-22 AWG
 1) HOUSING: Thermoplastic, UL 94 V-0 BLACK
 2) TERMINAL: BRASS, 0.8t
 3) TERMINAL SCREWS: STEEL, M3.5
 APPROVAL: us

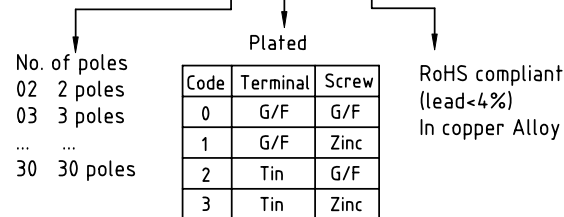
DIMENSION

Dim A	(N+2)×9.5+2.0
Dim B	(N-1)×9.5
Dim C	(N+1)×9.5

N=Number of poles

Poles	Tolerance
2p-3p	±0.30
4p-12p	±0.40
13p-30p	±0.60

PART NO.: YK 512xx 3 x 0 J0G



mat'l. code		surface ASME Y14.5 ✓	tolerance ASME Y14.5	projection 	product family TERMINAL BLOCK
ltr	ecn no	dr	date	tolerances unless otherwise specified	title TERMINAL BLOCK
				angles 	BARRIER TYPE, WITH FLANGE
				X°±1°	scale MM
				dr EVAN LU 061314	dwg no YK512xx3x0J0G
				enr EVAN LU 061314	sheet 1 of 1
				chr HANKE FENG 061314	size A4
				appd SHI JUN 061314	type CUSTOMER Drawing
sheet index	revision sheet	A	1		