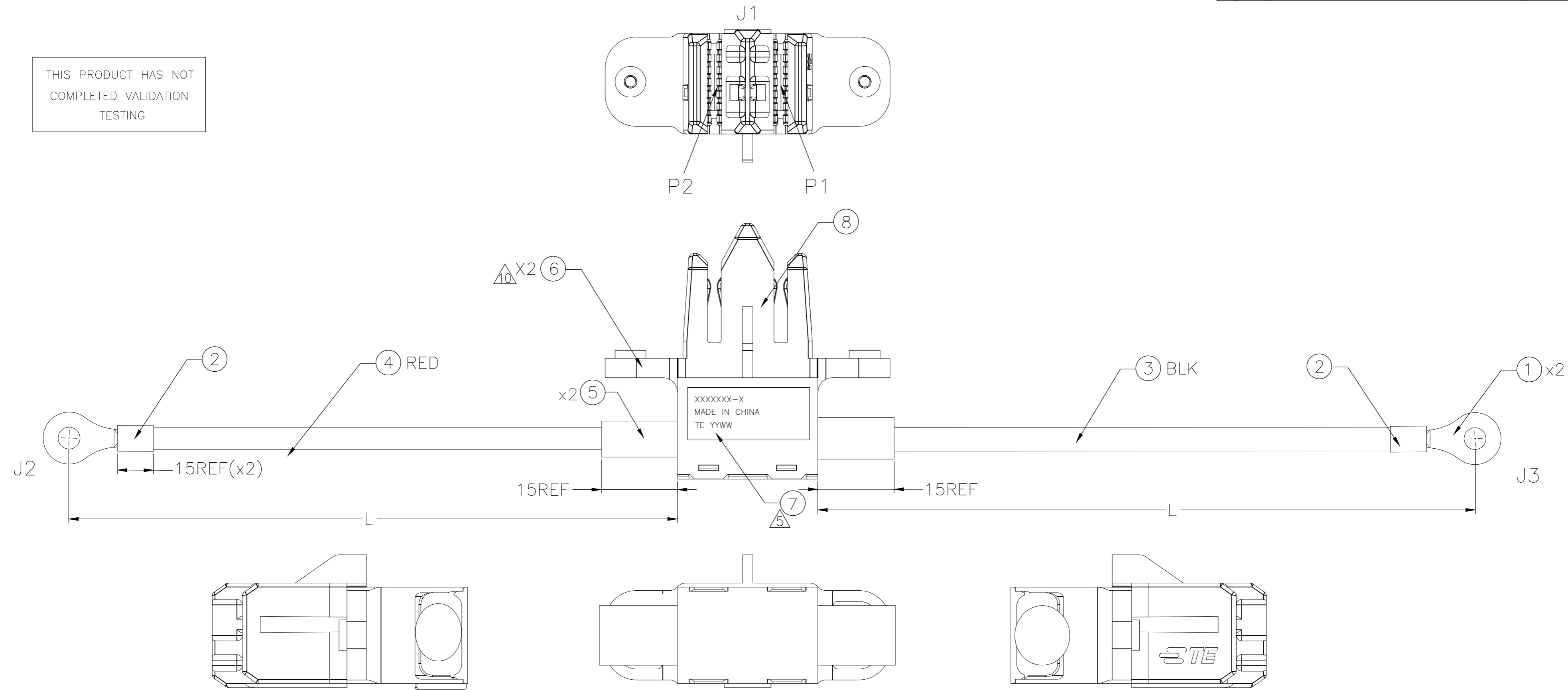


THIS DRAWING IS UNPUBLISHED. RELEASED FOR PUBLICATION
 © COPYRIGHT - By - ALL RIGHTS RESERVED.

REVISIONS				
P	LTR	DESCRIPTION	DATE	APVD
3		ADD NEW PN	09AUG2018	AC DZ

THIS PRODUCT HAS NOT COMPLETED VALIDATION TESTING



NOTES:

- 1. 100% ELECTRICAL TEST FOR CONTINUITY, OPENS AND SHORTS.
- 2. THE MATED BUS-BAR SHOULD HAVE SURFACE ROUGHNESS Ra 1.6um MAX. SHOULD HAVE PLATING 3um MIN. SILVER IN CONTACT AREA, AND 1.27um MIN. Ni OVERALL.
- 3. SILVER PLATING CONTACT MAY DISCOLOR IN AIR, BUT NO PERFORMANCE ISSUE
- 4. LOW HALOGEN REQUEST: Br<900ppm, Cl<900ppm, Br+Cl<1500ppm PER HOMOGENEOUS MATERIAL
- 5. LABEL CONTENT AS SHOWN

XXXXXX-X — TE P/N
 MADE IN CHINA — YY: YEAR;WW: WEEK
 TE YYWW

- 6. WIRE ALLOWABLE CURRENT: 75A FOR 6AWG
- 7. OPERATING TEMPERATURE: -20C~80C
- 8. FLAMMABILITY: CONNECTOR MEET UL 94V-0, WIRE MEET VW-1
- 9. THE CABLE ASSEMBLY SHOULD BE UL AND RoHS2(2011/65/EU) COMPLIANT.
- 10. M3 NUT WITHSTAND 44N min. PUSH OUT FORCE IN HOUSING.

WIRING CHART		
FROM	TO	WIRE
J1-P1	J3	BLACK
J1-P2	J2	RED

2337275-2	100±10	NA
2337275-1	250±10	NA
TE P/N	L	CUSTOMER P/N,REV.

QTY	PC	DESCRIPTION	ITEM
1	PC	RA CCJ CONNECTOR TE 2326688-1	8
1	PC	LABEL	7
2	PC	M3 NUT	6
AR	MR	HEAT SHRINK TUBE, BLACK	5
AR	MR	UL WIRE 6AWG RED	4
AR	MR	UL WIRE 6AWG BLACK	3
AR	MR	HEAT SHRINK TUBE, BLACK	2
2	PC	R-TERMINAL 6AWG M8	1
-1	U/M		

THIS DRAWING IS A CONTROLLED DOCUMENT.		DWN	24MAY2018	ADAM CHEN	
DIMENSIONS: mm		CHK	-	-	
TOLERANCES UNLESS OTHERWISE SPECIFIED:		APVD	24MAY2018	DAVID ZHANG	
0 PLC ± -		PRODUCT SPEC	108-152035	NAME	
1 PLC ± -		APPLICATION SPEC	114-152042	Cable AssY, RA CCJ TO R TERMINAL	
2 PLC ± 0.25		WEIGHT	0	SIZE	A2
3 PLC ± -		CUSTOMER DRAWING		CAGE CODE	00779
4 PLC ± -		FINISH	-	DRAWING NO	C=2337275
ANGLES ± -				RESTRICTED TO	-
SCALE		N.T.S		SHEET	1 of 2
REV		3			

PRODUCT AND PROCESSING MUST MEET REQUIREMENTS OF TE CONNECTIVITY ENVIRONMENTAL STANDARD TEC-138-702

4

3

2

1

THIS DRAWING IS UNPUBLISHED. RELEASED FOR PUBLICATION
 © COPYRIGHT - By - ALL RIGHTS RESERVED.

REVISIONS					
P	LTR	DESCRIPTION	DATE	DWN	APVD
-	-	SEE SHEET 1	-	-	-

2.70ref
20.60ref
25.7ref
60.0ref
73.0ref

26.75ref
ø7.90ref(x2)

33.1ref
17.0ref
1.4min.(X2)
32.50ref
2.0ref
2.0ref
R3.75ref
25.9ref
30.9ref
36.0ref

2X30
7.7
8.5
2X 14.0
33.6
2X 12.0
38.0
NO BURR ALLOW
RECOMMENDED PANEL LAYOUT FOR RA CCJ CONNECTOR
THICKNESS=1.35±0.30mm

RA CCJ CONNECTOR PROFILE FOR REFERENCE

THIS DRAWING IS A CONTROLLED DOCUMENT.		DWN ADAM CHEN 24MAY2018	TE Connectivity		
DIMENSIONS: mm		CHK - APVD DAVID ZHANG 24MAY2018			
TOLERANCES UNLESS OTHERWISE SPECIFIED:		PRODUCT SPEC 108-152035	SIZE A2		RESTRICTED TO -
0 PLC ± - 1 PLC ± - 2 PLC ± 0.25 3 PLC ± - 4 PLC ± - ANGLES ± -		APPLICATION SPEC 114-152042	CAGE CODE 00779	DRAWING NO. C=2337275	
MATERIAL -		FINISH -	WEIGHT 0	SCALE N.T.S.	SHEET 2 OF 2
CUSTOMER DRAWING			REV 3		

1471-9 (1/15)

2337275