

4

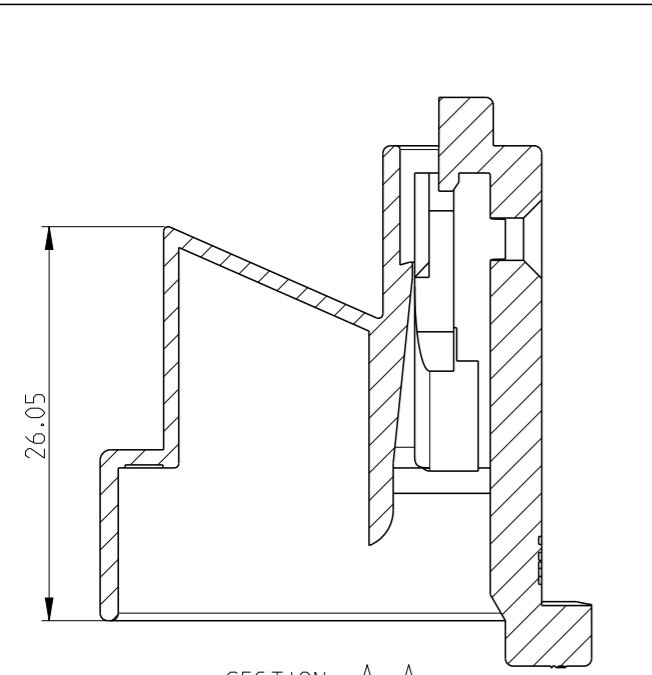
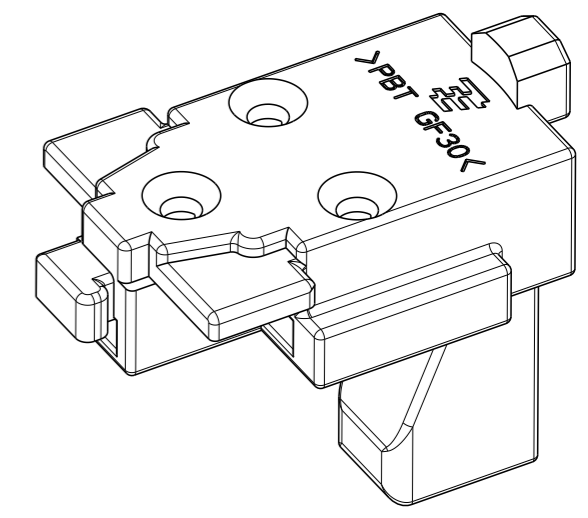
3

2

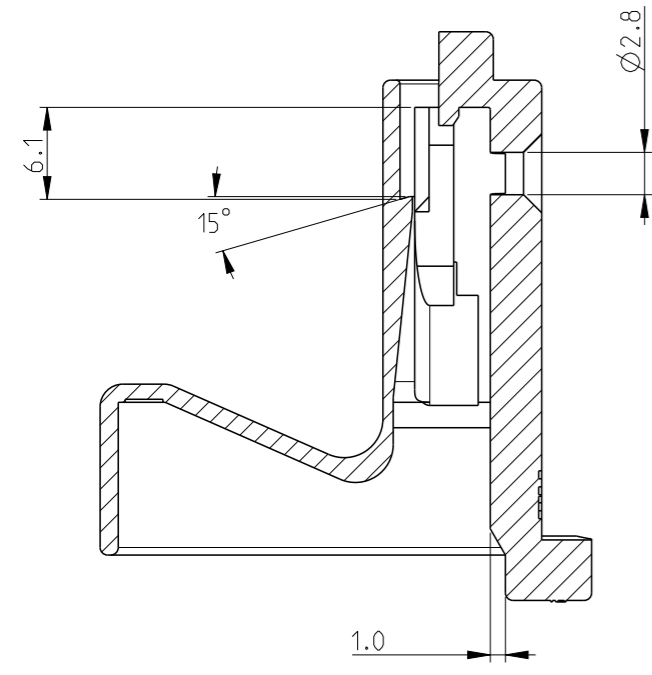
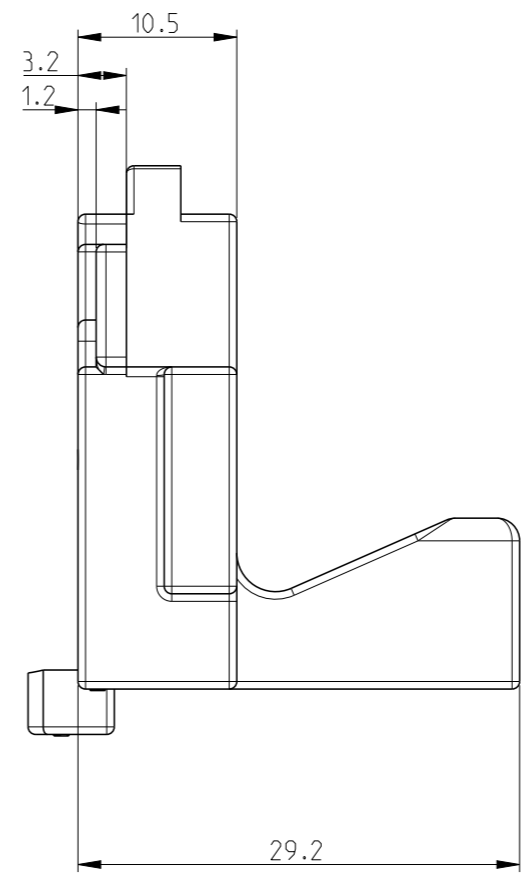
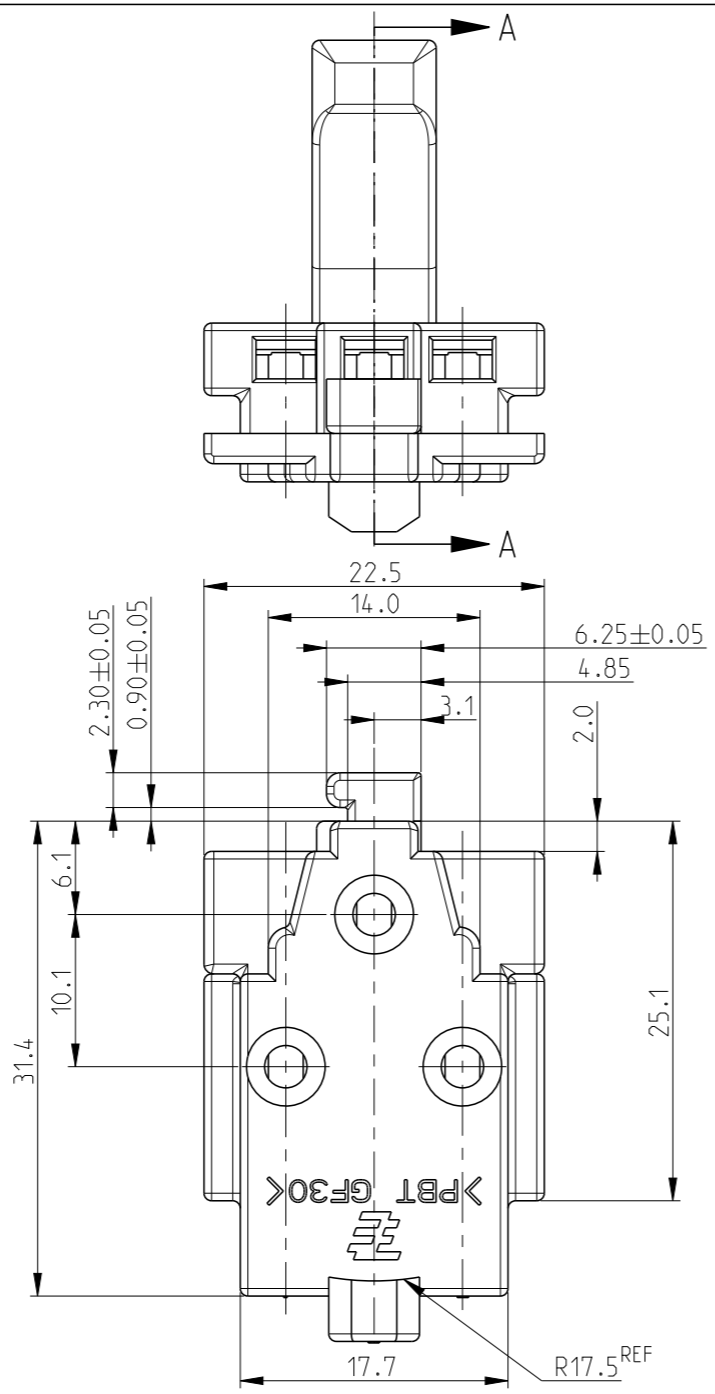
1

THIS DRAWING IS UNPUBLISHED. RELEASED FOR PUBLICATION 20  
 © COPYRIGHT 20 BY TYCO ELECTRONICS CORPORATION. ALL RIGHTS RESERVED.

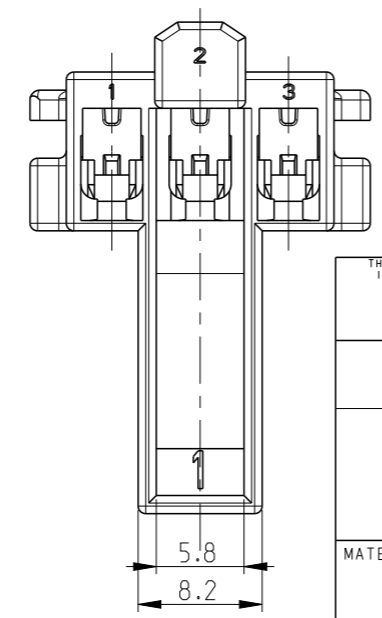
LOC	DIST	REVISIONS			
P	LTR	DESCRIPTION	DATE	DWN	APVD
DS	-	F REVISED PER ECR-15-005946	16.APR'15	SE	BW



SECTION A-A  
1-2005820-1 ONLY



SECTION A-A



NOTES.  
 1. GENERAL TOLERANCE: ±0.2, ±2°  
 2. MATERIAL: PBT GF30, UL94V-0  
 3. MATERIAL: PBT GF30, UL94V-0, GW T

COLOR	MATERIAL	DESCRIPTION	P/N
BLACK	3	CLUSTER BLOCK 3P CLIP HSG WITH TPA (GW T)	2-2005820-9
GRAY	2	CLUSTER BLOCK 3P CLIP HSG	1-2005820-1 2005820-1

THIS DRAWING IS A CONTROLLED DOCUMENT FOR TYCO ELECTRONICS CORPORATION IT IS SUBJECT TO CHANGE AND THE CONTROLLING ENGINEERING ORGANIZATION SHOULD BE CONTACTED FOR THE LATEST REVISION.

DIMENSIONS:	TOLERANCES UNLESS OTHERWISE SPECIFIED:
mm	0 PLC ±
	1 PLC ±
	2 PLC ±
	3 PLC ±
	4 PLC ±
	ANGLES ±
MATERIAL	FINISH
SEE NOTE	

DWN SE JUNG	NAME		
CHK BH CHO	CLUSTER BLOCK 3P CLIP HSG		
APVD BW KANG	PRODUCT SPEC	108-61156	RESTRICTED TO
	APPLICATION SPEC	114-5235	
WEIGHT	SIZE	CAGE CODE	DRAWING NO
CUSTOMER DRAWING	A3	00779	©=2005820
	SCALE	SHEET	REV
	2:1	1 OF 2	F

THIS DRAWING IS UNPUBLISHED.

RELEASED FOR PUBLICATION

20

© COPYRIGHT 20

BY TYCO ELECTRONICS CORPORATION. ALL RIGHTS RESERVED.

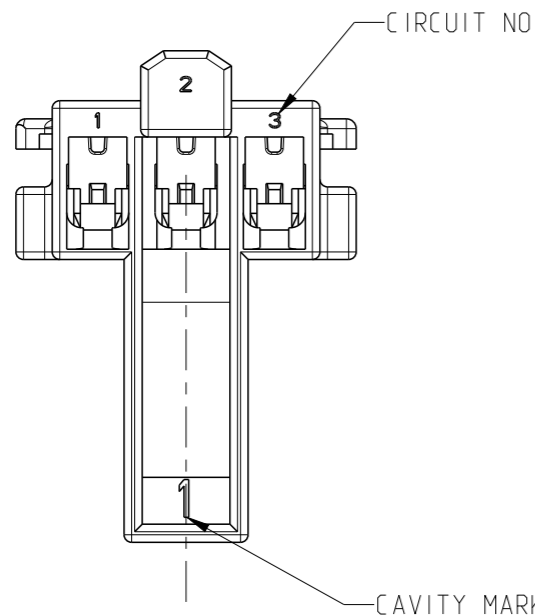
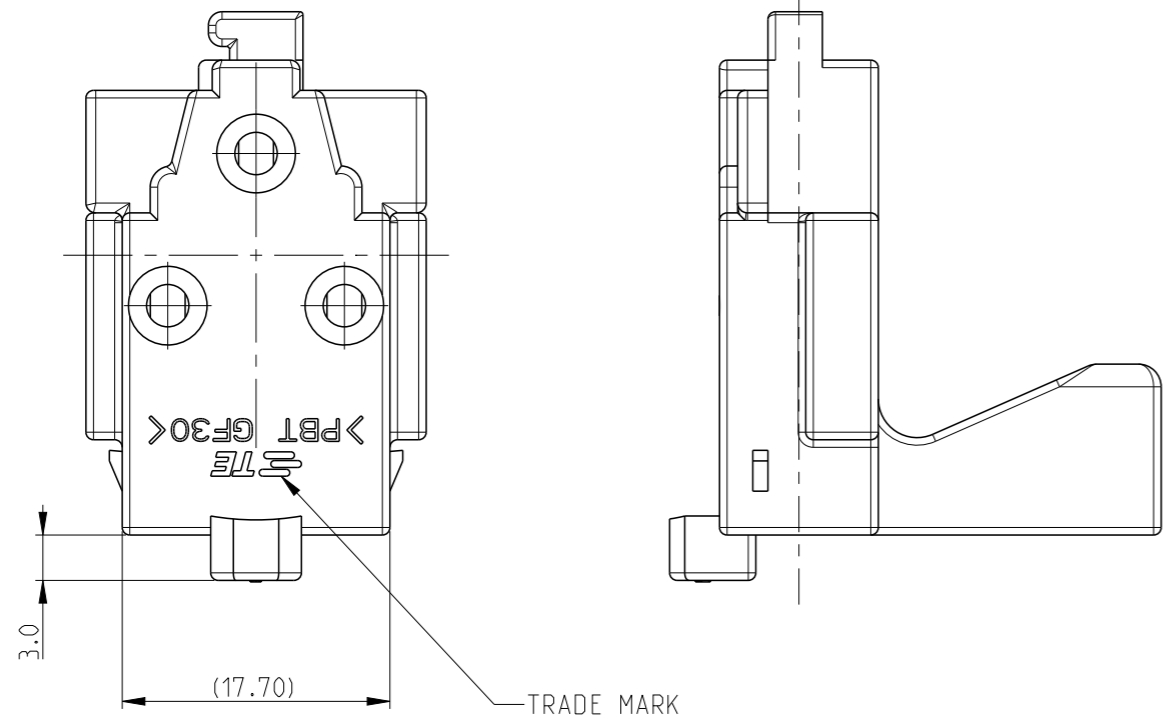
LOC DS

DIST -

REVISIONS

P	LTR	DESCRIPTION	DATE	DWN	APVD
	F	REVISED PER ECR-15-005946	16.APR'15	SE	BW

2-2005820-9 ONLY



# CODING TABLE

NAME P/N	STANDARD TYPE 2005820-1	BOSS TYPE 1-2005820-1	TPA TYPE 2-2005820-9
VIEW			

THIS DRAWING IS A CONTROLLED DOCUMENT FOR TYCO ELECTRONICS CORPORATION. IT IS SUBJECT TO CHANGE AND THE CONTROLLING ENGINEERING ORGANIZATION SHOULD BE CONTACTED FOR THE LATEST REVISION.

DIMENSIONS: mm	TOLERANCES UNLESS OTHERWISE SPECIFIED: 0 PLC ± 1 PLC ± 2 PLC ± 3 PLC ± 4 PLC ± ANGLES ± FINISH ±
MATERIAL SEE NOTE	

DWN SE JUNG
CHK BH CHO
APVD BW KANG
PRODUCT SPEC 108-61156
APPLICATION SPEC 114-5235
WEIGHT
CUSTOMER DRAWING

NAME CLUSTER BLOCK 3P CLIP HSG			
SIZE A3	CAGE CODE 00779	DRAWING NO C-2005820	RESTRICTED TO -
SCALE 2:1		SHEET 2 OF 2	REV F