

4

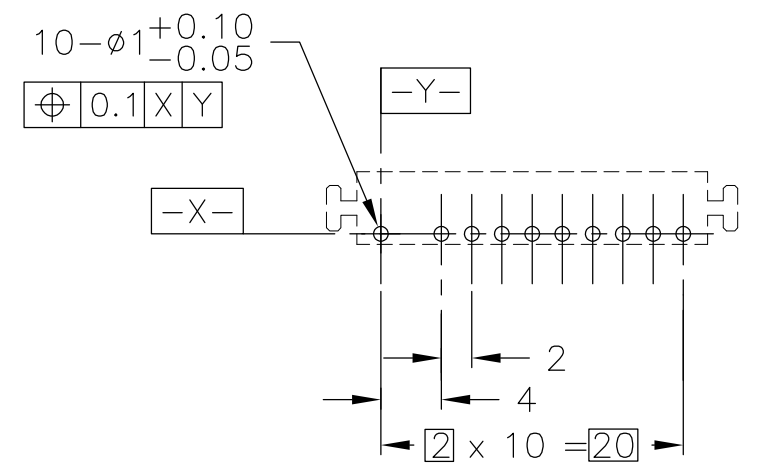
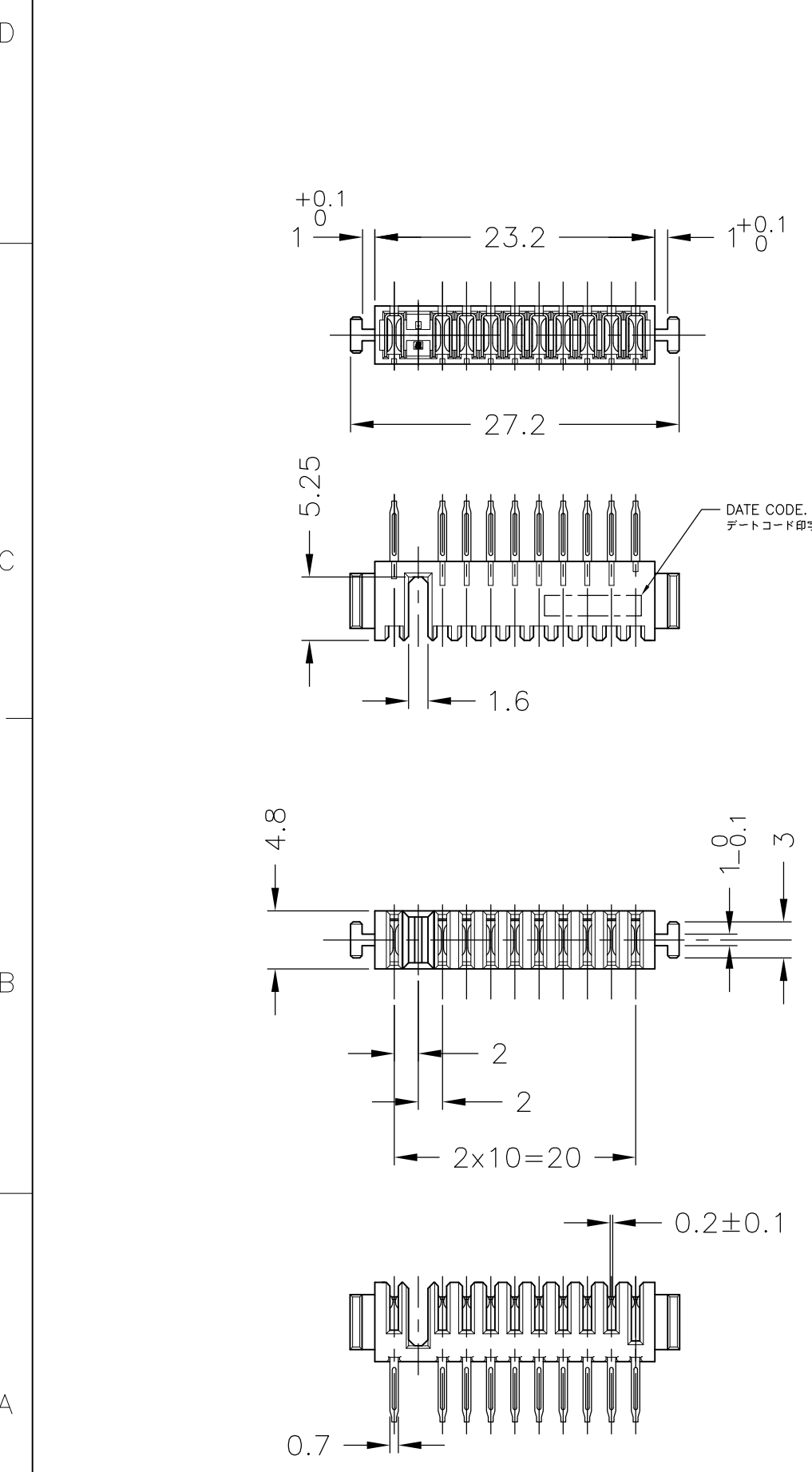
3

2

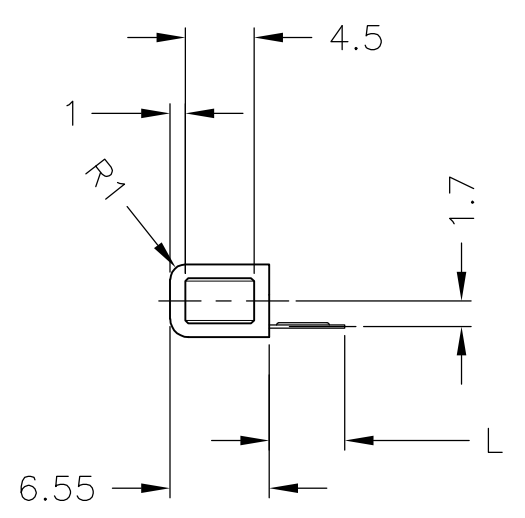
1

THIS DRAWING IS UNPUBLISHED. RELEASED FOR PUBLICATION  
 © COPYRIGHT 2001 BY TYCO ELECTRONICS CORPORATION. ALL RIGHTS RESERVED.

| LOC | DIST | REVISIONS<br>変更 |     |                           |         |     |      |
|-----|------|-----------------|-----|---------------------------|---------|-----|------|
| J   |      | P               | LTR | DESCRIPTION               | DATE    | DWN | APVD |
|     |      |                 | D   | REVISED PER ECR-10-012533 | 16JUN10 | HMR | TM   |



基板取付推奨寸法  
 RECOMMENDED P.C. BOARD LAYOUT  
 P.C. BOARD THK 0.8~1.2  
 (VIEW FROM CONNECTOR MOUNTING SIDE)



- △1 材料
  - ・ハウジング：熱可塑性樹脂、UL94V-O、黒
  - ・コンタクト：銅合金
- △2 仕上げ
  - ・コンタクト：全面ニッケル下地めっき
  - 接触部 金めっき 0.3μm 以上
  - 半田付け部 金フラッシュめっき
- △1 MATERIAL
  - ・ HOUSING: THERMOPLASTIC RESIN UL94V-O, BLACK
  - ・ CONTACT: COPPER ALLOY
- △2 FINISH
  - ・ CONTACT: Ni ALL OVER UNDER PL. GOLD PL. (0.3μm MIN.) AT CONTACT AREA
  - Au FLASH PL. AT LEAD AREA

|                           |         |             |
|---------------------------|---------|-------------|
| -                         | 3       | 1-1612963-4 |
| AS SHOWN                  | 5       | 1612963-4   |
| SUPERSEDED BY 1-1612963-4 | 3       | 1-1612963-3 |
| SUPERSEDED BY 1612963-4   | 5       | 1612963-3   |
| REMARK                    | DIM "L" | PART NO.    |

|  |  |                                  |  |                         |
|--|--|----------------------------------|--|-------------------------|
| THIS DRAWING IS A CONTROLLED DOCUMENT.         |  | DWN<br>T.KATANO<br>30JAN03       | Tyco Electronics Corporation<br>Kawasaki, Japan                  |                         |
| DIMENSIONS:<br>単位： 耗<br>mm                     |  | CHK<br>K.IKEGAMI<br>30JAN03      |  |                         |
| TOLERANCES UNLESS OTHERWISE SPECIFIED:<br>一般公差 |  | APVD<br>K.KODAIRA<br>30JAN03     | NAME<br>名称<br>2mm PITCH BATTERY CONNECTOR<br>RECEPTACLE ASSEMBLY |                         |
| 0 PLC ± 0.3                                    |  | PRODUCT SPEC<br>製品規格<br>108-5850 | SIZE<br>A3   |                         |
| 1 PLC ± 0.3                                    |  | APPLICATION SPEC<br>取付適用規格       | CAGE CODE<br>00779   | DRAWING NO<br>G-1612963 |
| 2 PLC ± 0.3                                    |  | WEIGHT                           | RESTRICTED TO  |                         |
| 3 PLC ± 0.3                                    |  | CUSTOMER DRAWING                 |  |                         |
| 4 PLC ± 0.3                                    |  | SCALE 尺度 2:1                     |  |                         |
| ANGLES ± 3'                                    |  | SHEET 1 OF 1                     |  |                         |
| FINISH 仕上                                      |  | REV D                            |  |                         |