

DWG. NO.	032-8275		
REVISIONS			
SYM.	E.C.N.	DATE	APVD.
B	23464	8/4/97	
C	23647	1/12/98	
D	24309	8/17/00	
E	24960	10/3/02	
F	24991	10/30/02	

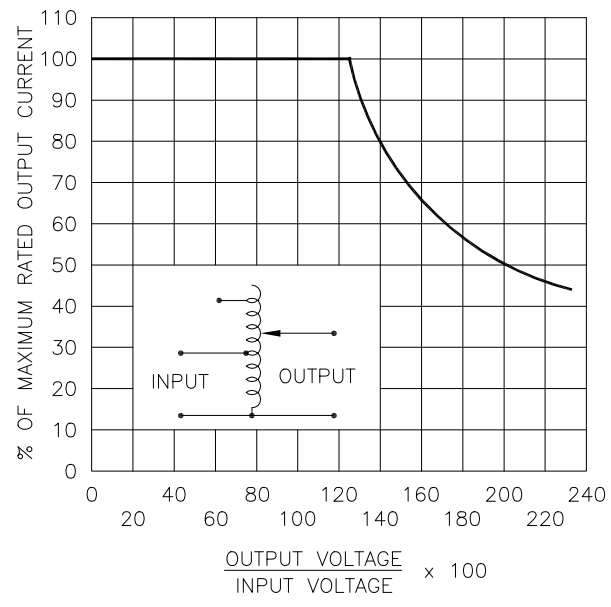
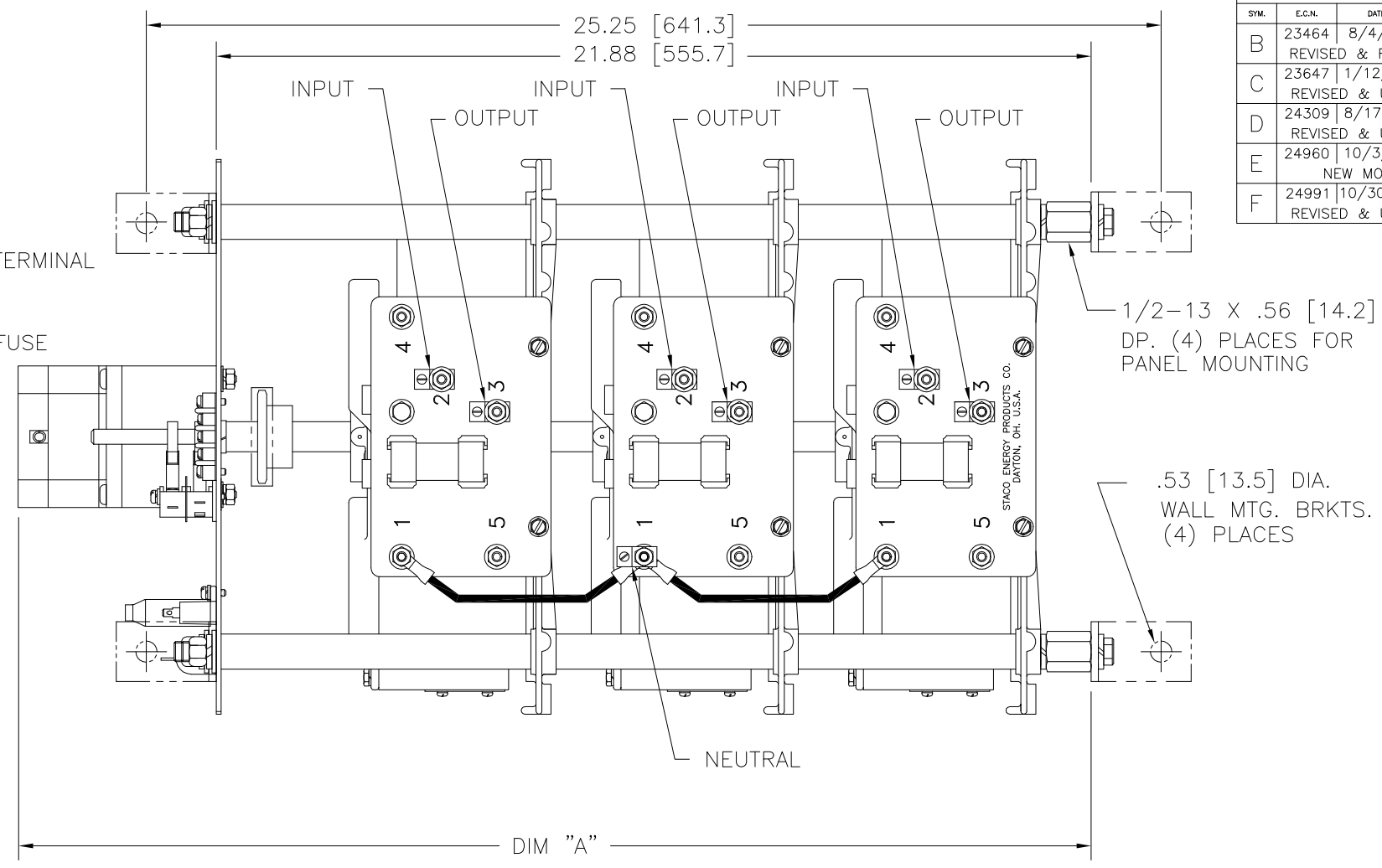
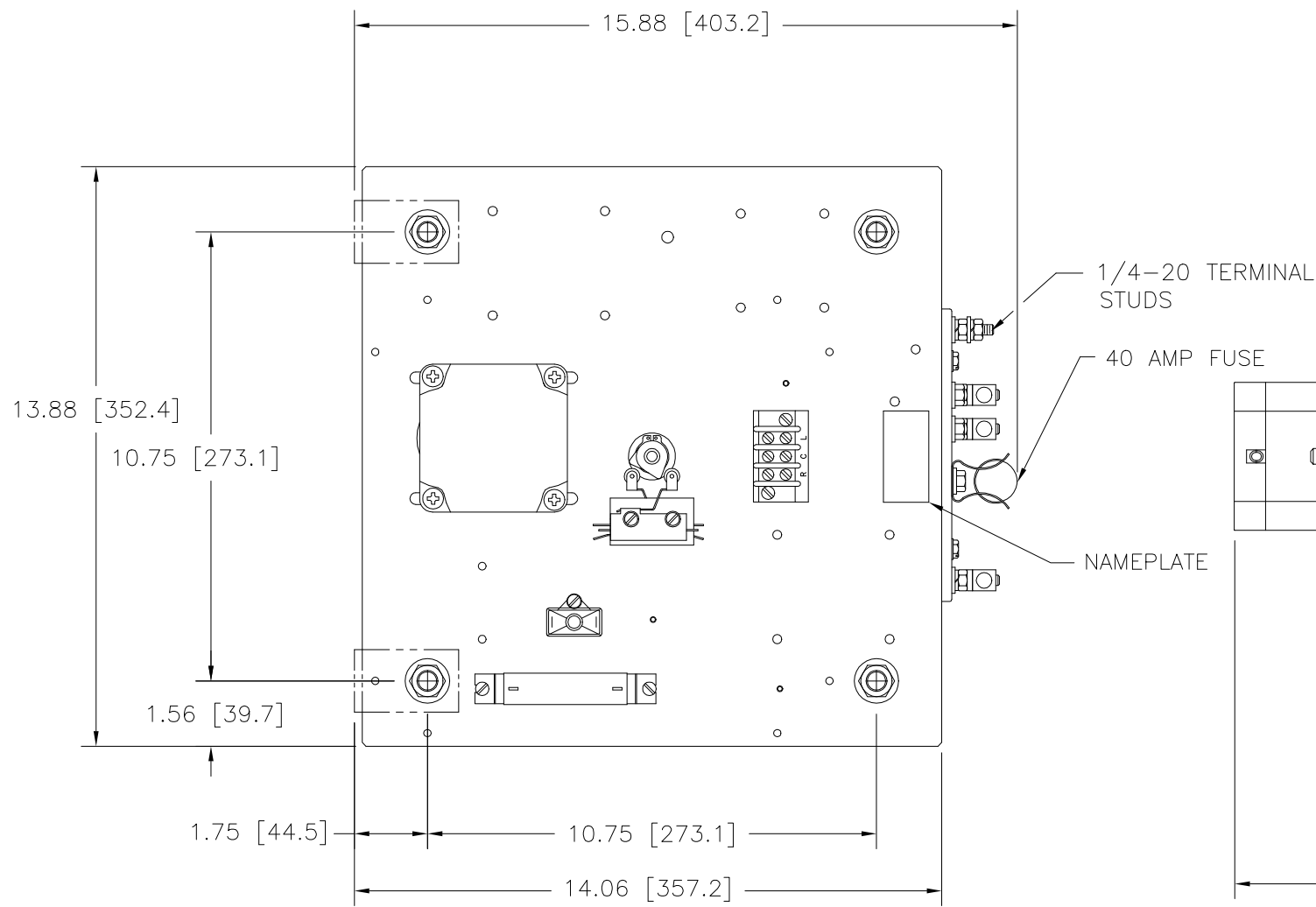
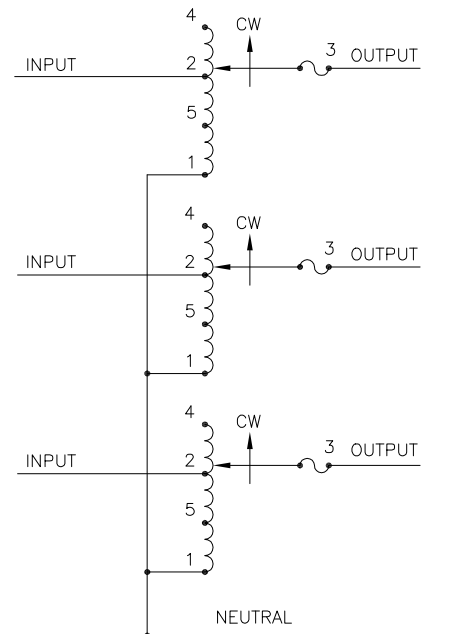
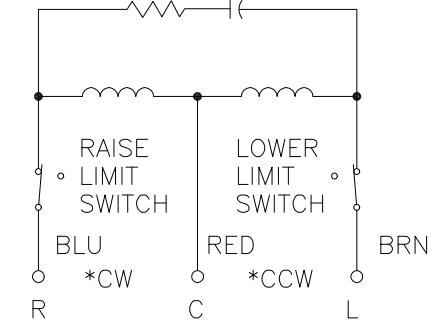


FIGURE A
MAXIMUM OUTPUT CURRENT OF ANY DUAL INPUT VOLTAGE OR VOLTAGE DOUBLER UNIT OPERATED AT LOWER INPUT VOLTAGE.



SCHEMATIC



MOTOR CIRCUIT
120V 60 HZ
* ROTATION AS VIEWED FROM MOTOR END
MOTOR SPEED: SEE CHART

* MAXIMUM OUTPUT CURRENT IN OUTPUT VOLTAGE RANGE FROM 0 TO 25% ABOVE LINE VOLTAGE. AT HIGHER OUTPUT VOLTAGES, OUTPUT CURRENT MUST BE REDUCED ACCORDING TO RATING CURVE, FIGURE A.

V.D. = VOLTAGE DOUBLER.

++ MAXIMUM KVA AT MAXIMUM OUTPUT AND CORRESPONDING DE-RATING CURRENT. MAXIMUM KVA AT LOWER OUTPUT VOLTAGES MAY BE CALCULATED FROM RATING CURVE, FIGURE A.

WIRING	SPECIFICATIONS						TERMINAL CONNECTIONS		
	INPUT		OUTPUT			SHAFT ROTATION TO INCREASE VOLTAGE	FOR INCREASING VOLTAGE AS VIEWED FROM ROTOR END		
	VOLTS	HERTZ	VOLTS	MAX. AMPS	MAX. KVA		INPUT	JUMPER	OUTPUT
THREE PHASE WYE	480	50/60	0-480	35	29.1	CW	4-4-4	---	3-3-3
		60	0-560	35	33.9	CW	2-2-2	---	3-3-3
	240	60	0-560	35-15 V.D.	14.5**	CW	5-5-5	---	3-3-3

SPEED (SECONDS)	MODEL NUMBER	DIM "A"
5	5M6020-3Y	25.75 [654.0]
15	15M6020-3Y	26.84 [681.7]
30	30M6020-3Y	26.84 [681.7]
60	60M6020-3Y	26.84 [681.7]

UNLESS OTHERWISE SPECIFIED, TOLERANCE IS ± DECIMALS HOLES .12 ANGLES DRAFT 1-1/2° UNITS IN [mm] TITLE: SPEC. CONTROL DRAWING MOTORIZED VARIABLE XFMR. TYPE: M6020-3Y

MATERIAL: ALL DIMENSIONS APPLY AFTER PLATING

STACO ENERGY PRODUCTS CO. A Components Corporation of Ametec Company 302 Gaido Boulevard Dayton, Ohio 45424 USA

DRAWN BY: TIM RAU DATE: 8/4/97 FIRST USED ON: DO NOT SCALE DWG. CAGE CODE: 83008

CHECKER: DATE: WEIGHT APPROX. SCALE: .50=1 SHEET 1 OF 1

ENGINEER: DATE: SCALE: .50=1 SHEET 1 OF 1

DWG. NO. 032-8275