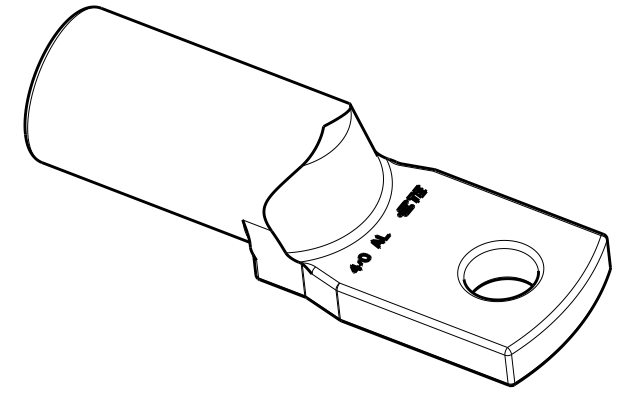
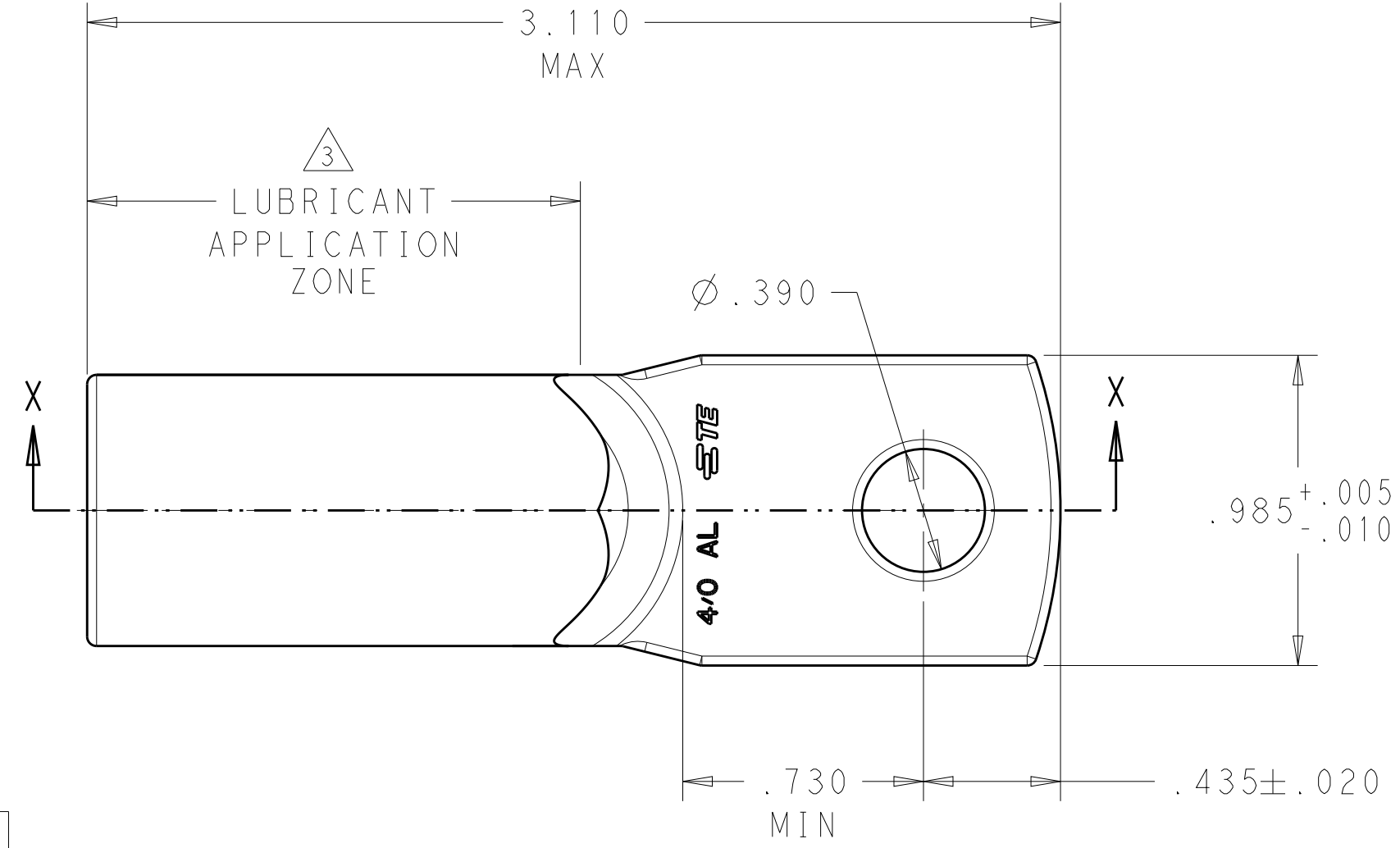


THIS DRAWING IS UNPUBLISHED. RELEASED FOR PUBLICATION 20
 © COPYRIGHT 20 BY - ALL RIGHTS RESERVED.

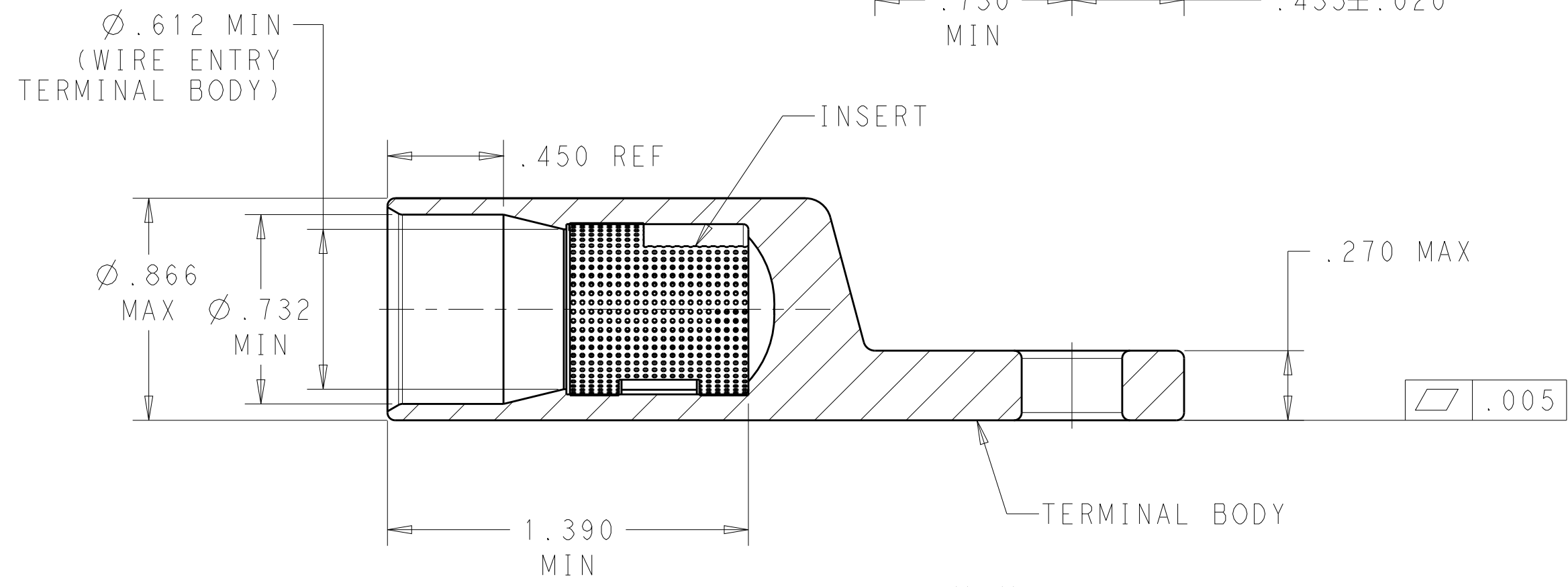
| LOC | | DIST | | REVISIONS | | | |
|-----|-----|-------------|----------------------------|-----------|------|----|--|
| P | LTR | DESCRIPTION | DATE | DWN | APVD | | |
| - | - | A | RELEASED PER ECO 15-010930 | 8-18-15 | CT | PD | |

- MATERIAL:
 BODY: ALUMINUM PER ASTM B317
 INSERT: BRASS PER ASTM B36
- FINISH:
 BODY: .000600 MIN MATTE TIN PER ASTM B545
 OVER .000060 MIN NICKEL PER ASTM B733.
 INSERT: .000150 MIN MATTE NICKEL PER QQ-N-290

3 PTFE DRY LUBRICANT 360 DEGREE ON OUTER DIAMETER OF CRIMP BARREL IN ZONE SHOWN.



SCALE 1:1



SECTION X-X

2102575-1
 PART NUMBER

| | | | | |
|--|--|----------------------------------|--|-----------------|
| THIS DRAWING IS A CONTROLLED DOCUMENT. | | DWN D. FABIAN 23AUG2012 | TE Connectivity | |
| DIMENSIONS: INCHES | | CHK DEBOCK, KIM 28NOV2012 | | |
| TOLERANCES UNLESS OTHERWISE SPECIFIED: | | APVD DEBOCK, KIM 28NOV2012 | NAME ASSEMBLY, ALUMINUM TERMINAL, STRAIGHT, SINGLE HOLE, 4/0 | |
| 0 PLC ±- 1 PLC ±.1 2 PLC ±.01 3 PLC ±.005 4 PLC ±.0005 ANGLES ±1° | | PRODUCT SPEC - | RESTRICTED TO - | |
| MATERIAL SEE CALL-OUT | | FINISH SEE CALL-OUT | APPLICATION SPEC - | SIZE A200779 |
| | | WEIGHT - | DRAWING NO C-2102575 | SCALE 2:1 |
| | | Customer Drawing | SHEET 1 | OF 1 |
| | | | REV A | |