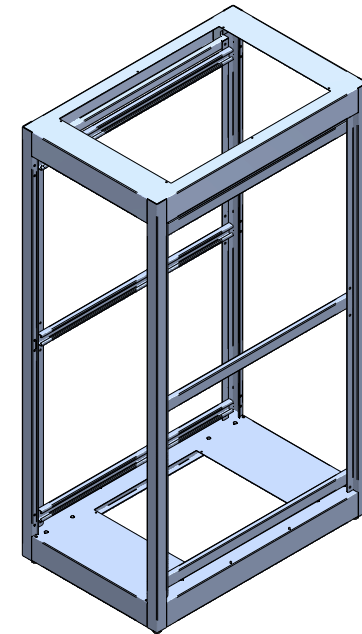
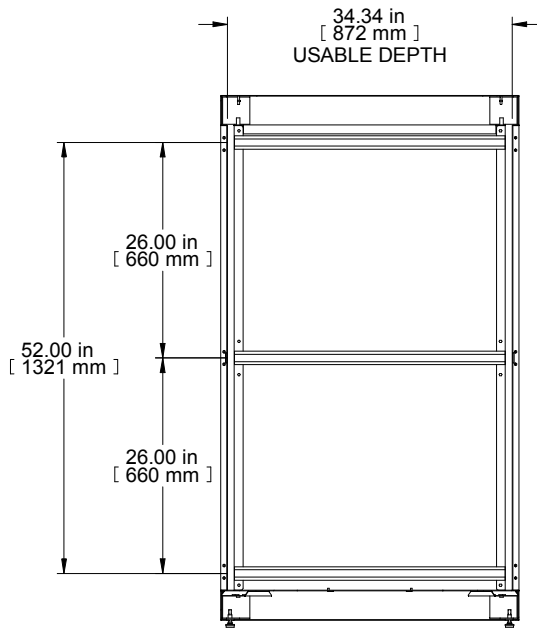


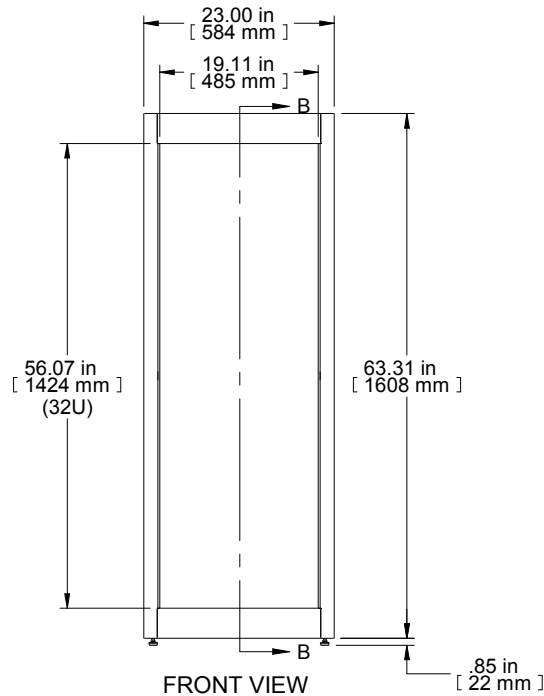
TOP VIEW
TOP OPENING



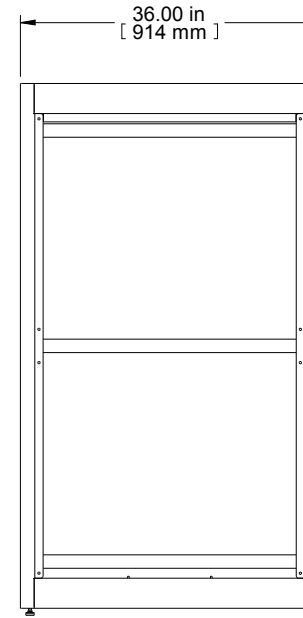
ISOMETRIC



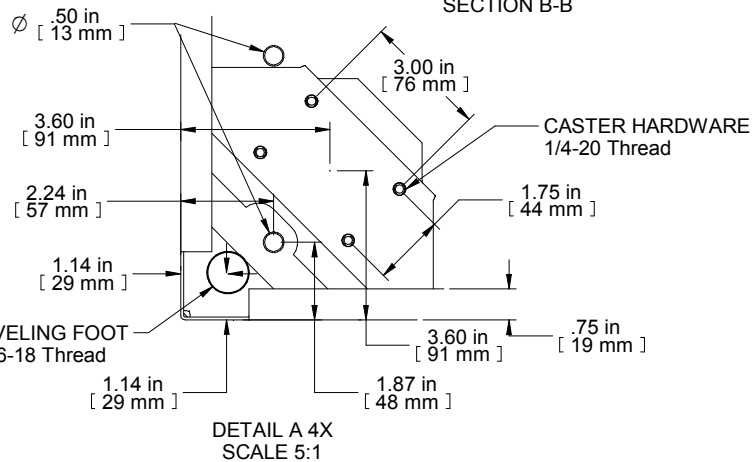
34.34 in
[872 mm]
USABLE DEPTH



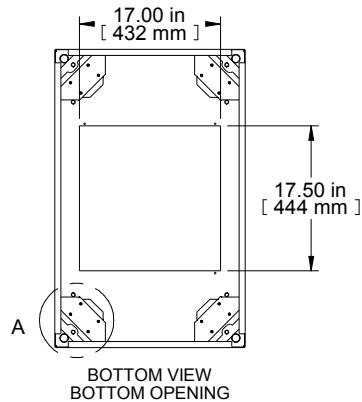
FRONT VIEW



R.S. VIEW



DETAIL A 4X
SCALE 5:1



BOTTOM VIEW
BOTTOM OPENING

PART NUMBERS	
C2F195636BK1	PAINTED BLACK TEXTURE
C2F195636LG1	PAINTED LIGHT GRAY TEXTURE

NOTES

Welded Assembly
See Hammond Website for Frame Accessories.

Data subject to change without notice. Isometric drawing not to scale.
Les données sont sujettes à changement sans préavis.



www.hammondmfg.com

PART NO. C2F195636