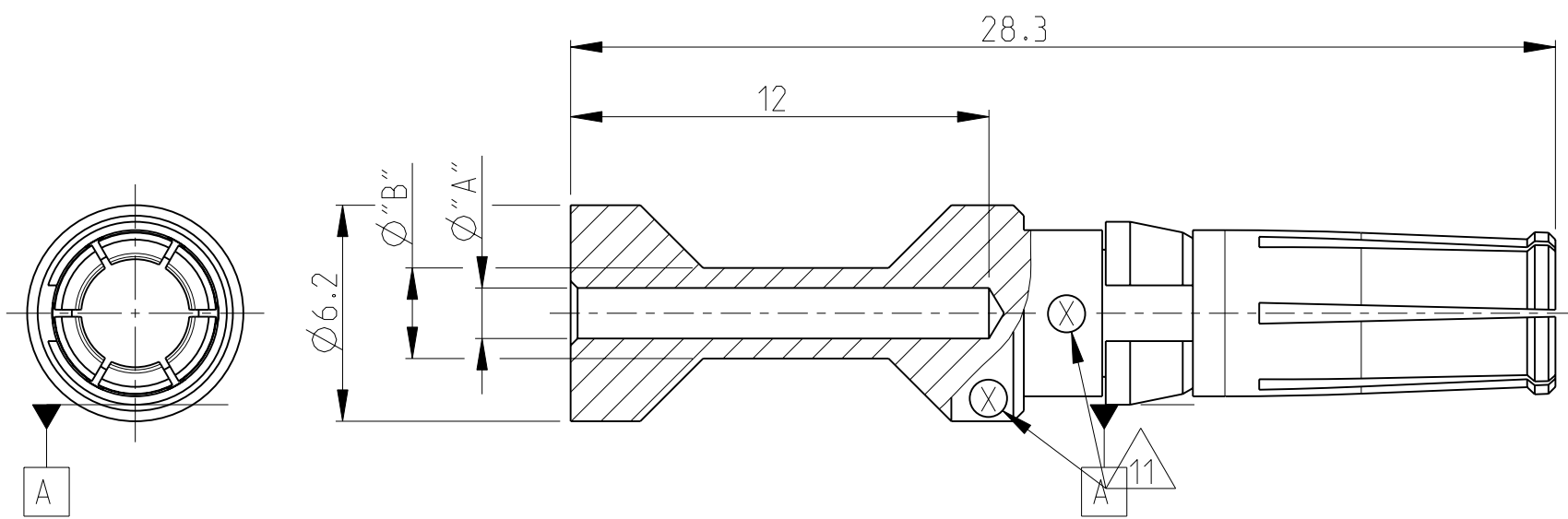


THIS DRAWING IS UNPUBLISHED. RELEASED FOR PUBLICATION 2006  
 © COPYRIGHT 2006 BY TYCO ELECTRONICS CORPORATION. ALL RIGHTS RESERVED.

LOC	DIST	REVISIONS				
P	LTR	DESCRIPTION	DATE	DWN	APVD	
B1	-	A2	PN3-2; 5-2; 6-2 OBSOLETE Eg00-1426-03	15.05.03	SR	SM
		A3	ECR-09-005436	11MAR2010	VG	MH



Notes

- 1 MATERIAL: BRASS
- 2 FINISH SILVER PLATING: 2 μm Ag MIN. OVER Cu
- 3 FINISH GOLD PLATING: 0.75 μm Au MIN. OVER Ni
- 4 NO VENTILATION HOLE REQUIRED AT CROSS-SECTION >4.0 MM<sup>2</sup>
- 5 WEIGHT: 2.8 g, VOLUME: 324mm<sup>3</sup> (APPROX.)
- 6 SUITABLE PIN CONTACT: CUSTOMER DRAWING 1105251
- 7 SUITABLE INSERTS: SERIES HSM, CUSTOMER DRAWING
- 8 SUITABLE CRIMP TOOL: PN 1-1105850-8
- 9 SUITABLE INSERTION TOOL: PN 0-1102855-6
- 10 SUITABLE EXTRACTION TOOL: PN 0-1102855-4
- 11 CROSS-SECTION MARKING
- 12 STANDARDS: DIN EN 61984, DIN EN 60664-1

ORDERING TEXT	PLATING	CROSS SECTION	DIMENSIONS	CROSS-SECTION MARKINGS	STRIPPING-LENGTH		
OBSOLETE	HSM.Bu.C.Au	10.0mm <sup>2</sup>	10	4.35	5.9	8	12
OBSOLETE	HSM.Bu.C.Au	6.0mm <sup>2</sup>	6.0	3.5	4.9	7	12
	HSM.Bu.C.Au	4.0mm <sup>2</sup>	4.0	2.85	3.9	6	12
OBSOLETE	HSM.Bu.C.Au	2.5mm <sup>2</sup>	2.5	2.2	3.2	5	12
OBSOLETE	HSM.Bu.C.Au	1.5mm <sup>2</sup>	1.5	1.8	3.0	4	12
	HSM.Bu.C.Au	0.75mm <sup>2</sup>	0.75-1.0	1.45	2.6	3	12
	HSM.Bu.C.Ag	10.0mm <sup>2</sup>	10	4.35	5.9	8	12
	HSM.Bu.C.Ag	6.0mm <sup>2</sup>	6.0	3.5	4.9	7	12
	HSM.Bu.C.Ag	4.0mm <sup>2</sup>	4.0	2.85	3.9	6	12
	HSM.Bu.C.Ag	2.5mm <sup>2</sup>	2.5	2.2	3.2	5	12
	HSM.Bu.C.Ag	1.5mm <sup>2</sup>	1.5	1.8	3.0	4	12
	HSM.Bu.C.Ag	0.75mm <sup>2</sup>	0.75-1.0	1.45	2.6	3	12
			[MM <sup>2</sup> ]	"A"	"B"	CROSS-SECTION MARKINGS	[mm]

PARTS LIST

THIS DRAWING IS A CONTROLLED DOCUMENT FOR TYCO ELECTRONICS CORPORATION IT IS SUBJECT TO CHANGE AND THE CONTROLLING ENGINEERING ORGANIZATION SHOULD BE CONTACTED FOR THE LATEST REVISION.		DWN 03APR2008 K.SCHROEDER		Tyco Electronics AMP GmbH 53757 Sankt Augustin (Germany)	
DIMENSIONS: mm		TOLERANCES UNLESS OTHERWISE SPECIFIED: 0 PLC ± 1 PLC ± 2 PLC ±- 3 PLC ±- 4 PLC ±- ANGLES ±0.5°		NAME SOCKET CONTACT SERIES HSM	
MATERIAL 1		FINISH 2 3		SIZE CAGE CODE DRAWING NO RESTRICTED TO A3 00779 C-1105251 -	
CUSTOMER DRAWING				SCALE 5:1 SHEET 1 OF 1 REV A3	

