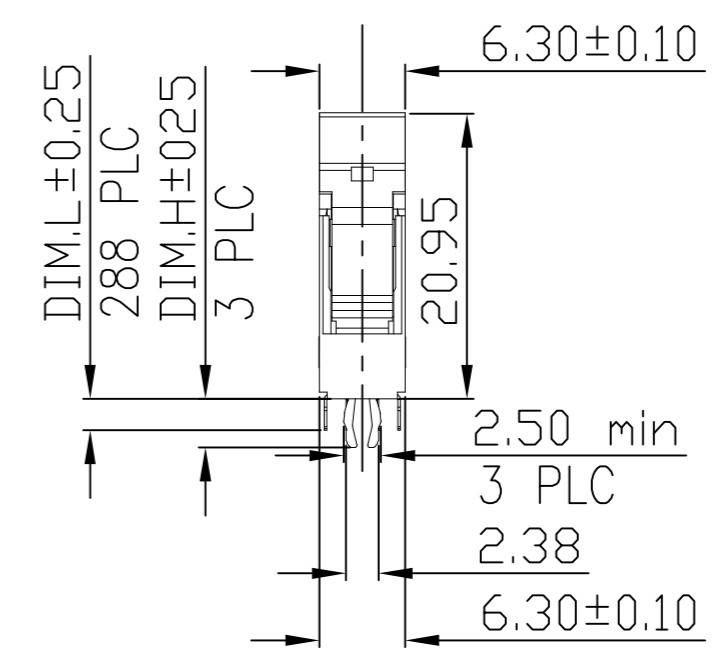
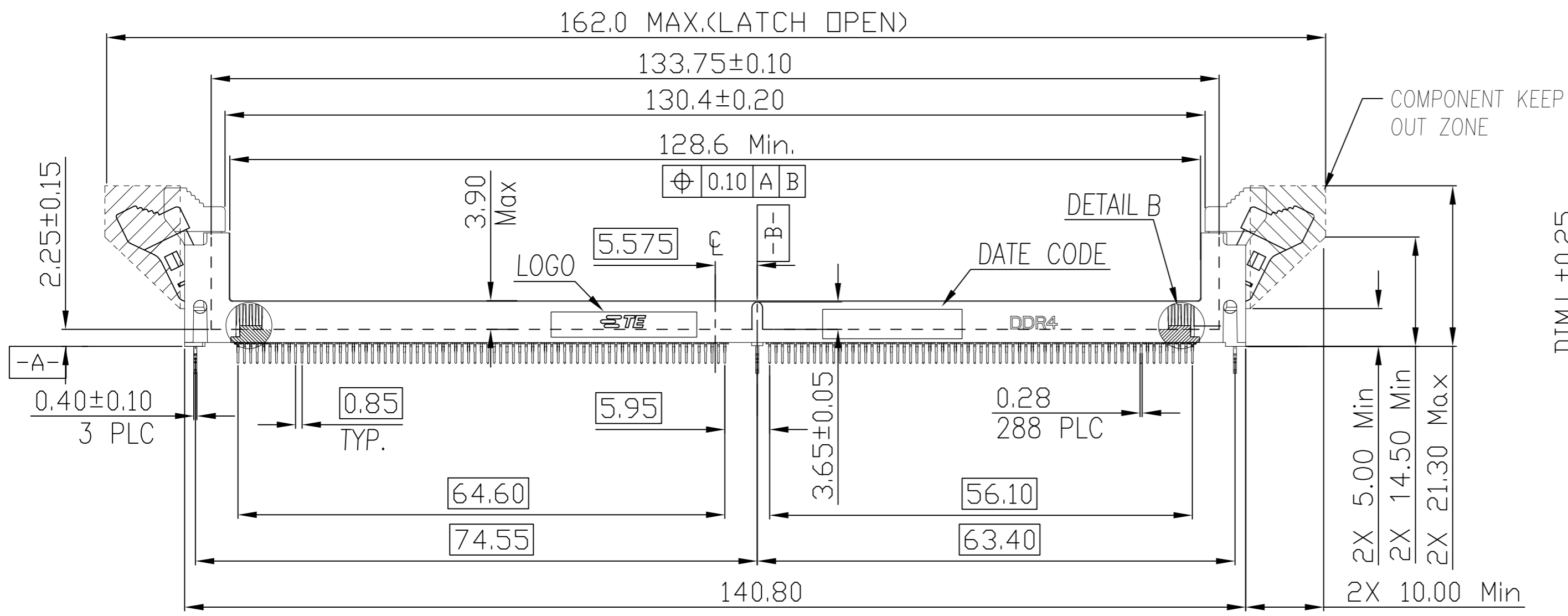
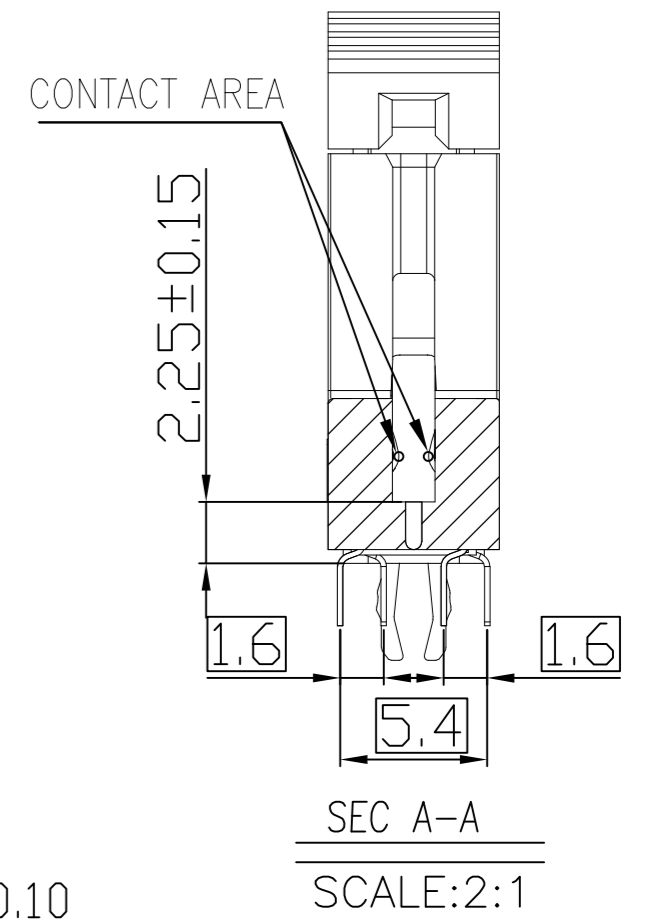
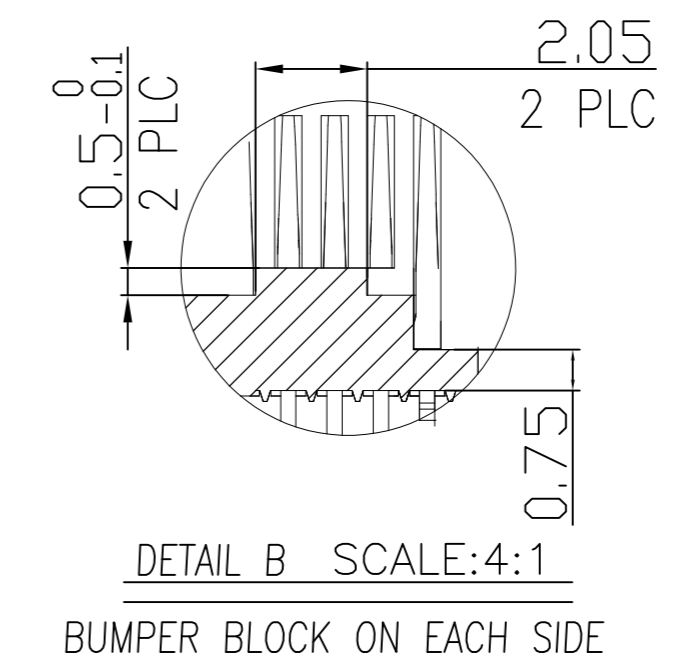
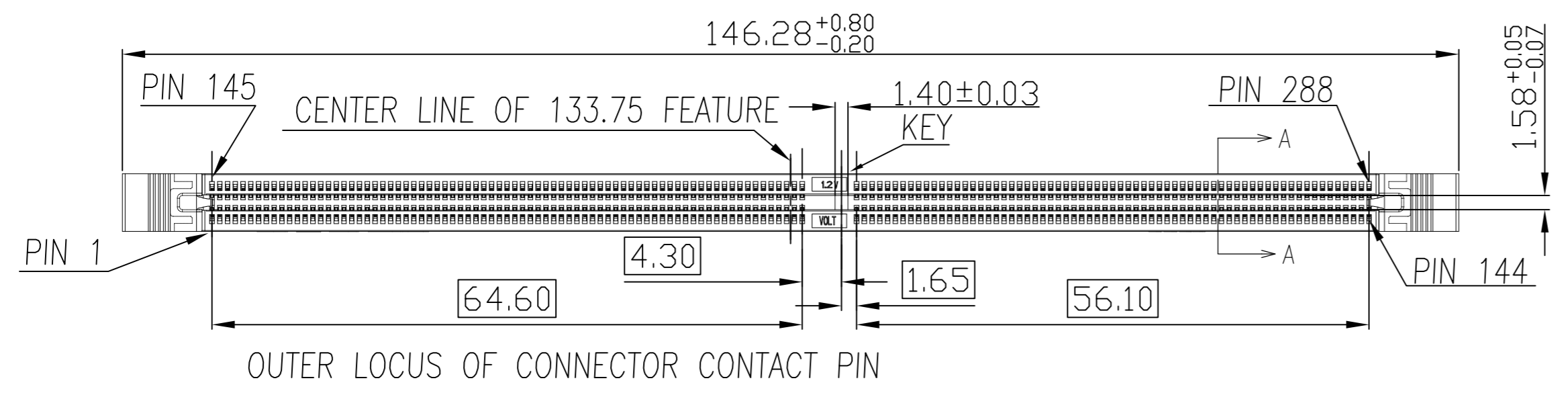


REVISIONS					
P	LTR	DESCRIPTION	DATE	DWN	APVD
12	REVISED		1MAR2017	D.Z	S.L

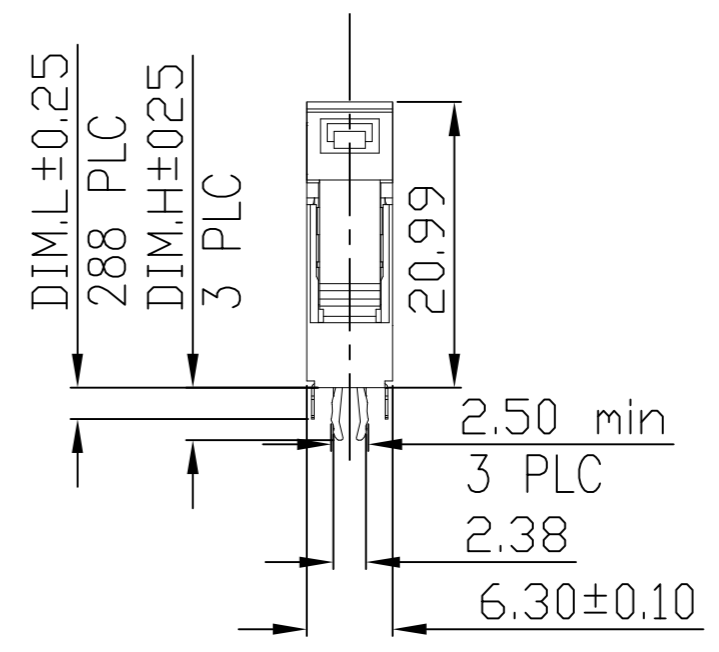
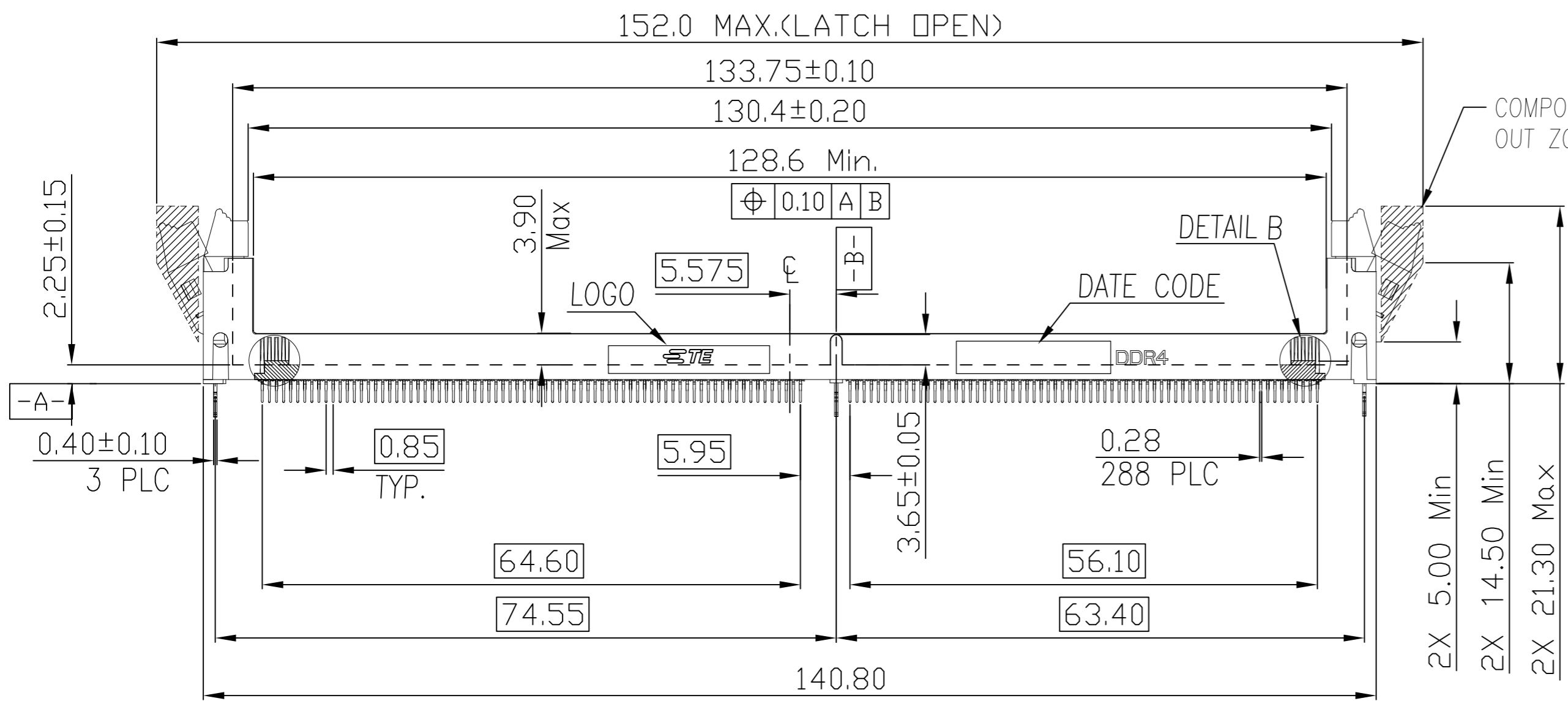
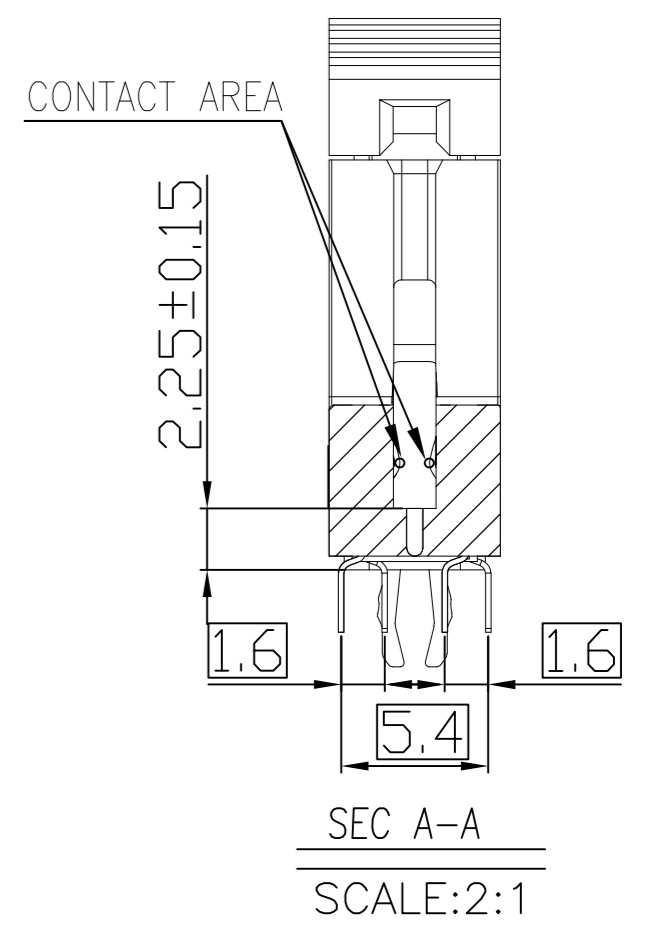
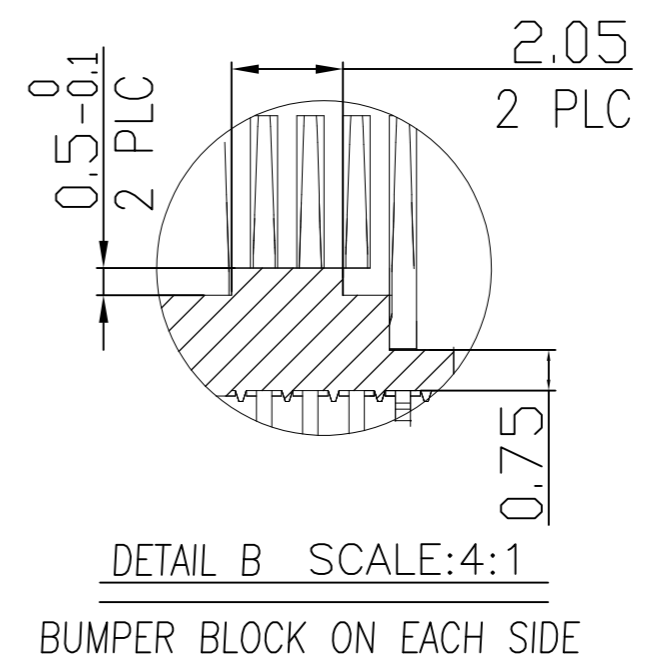
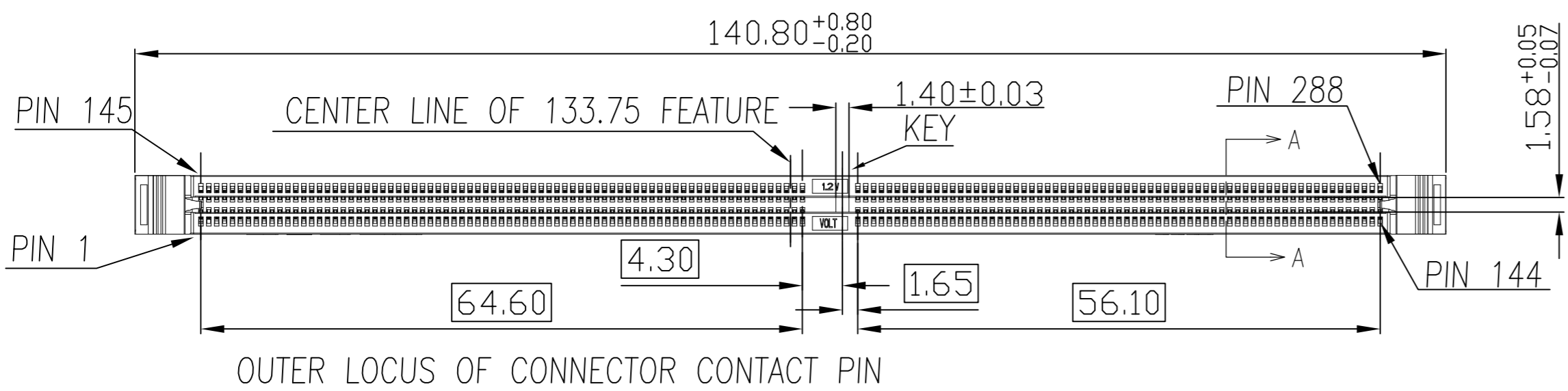


- NOTES:  
 PRODUCT MEET CONTROLLED SUBSTANCES SPEC. ROHS 2.0
- MATERIAL:
    - HOUSING: HIGH TEMPERATURE THERMOPLASTIC, UL94 V-0
    - LATCH: HIGH TEMPERATURE THERMOPLASTIC, UL94 V-0
    - CONTACT: COPPER ALLOY
    - BOARD LOCK: STAINLESS STEEL
  - INTERFACE FINISH:
    - 0.00038 MIN THK GOLD OVER 0.00127 MIN THK NICKEL.
    - GOLD FLASH OVER 0.00127 MIN THK NICKEL.
    - 0.00076 MIN THK GOLD OVER 0.00127 MIN THK NICKEL
  - WAVE SOLDER CAPABLE TO 270°C 10S.
  - KEEP OUT AREA RESERVED FOR SOCKET EXTRACTORS, BOTH ENDS.

# DUAL LONG LATCH

THIS DRAWING IS A CONTROLLED DOCUMENT.		DWN DAVID ZHAO 15AUG2016	TE Connectivity	
DIMENSIONS: mm		CHK SIMON LI 15AUG2016		
TOLERANCES UNLESS OTHERWISE SPECIFIED:		APVD COREL WANG 15AUG2016	NAME	
0 PLC ± -		PRODUCT SPEC	SOCKET ASSEMBLY	
1 PLC ± 0.25		APPLICATION SPEC	DDR4 DIMM,T/H TYPE	
2 PLC ± 0.15		108-115124	288 POSITION	
3 PLC ± -0.10			SIZE	CAGE CODE
4 PLC ± -			A2	00779
ANGLES ± -		WEIGHT 7.3g	DRAWING NO	RESTRICTED TO
FINISH		CUSTOMER DRAWING	C=2308107	-
		SCALE 1:1	SHEET 1 of 6	REV 12

REVISIONS					
P	LTR	DESCRIPTION	DATE	DWN	APVD
-	-	SEE SHEET 1	-	-	-



# DUAL SHORT LATCH


THIS DRAWING IS A CONTROLLED DOCUMENT.		DWN DAVID ZHAO 15AUG2016			NAME	
DIMENSIONS: mm		CHK SIMON LI 15AUG2016			SOCKET ASSEMBLY	
TOLERANCES UNLESS OTHERWISE SPECIFIED:		APVD COREL WANG 15AUG2016	DDR4 DIMM,T/H TYPE		RESTRICTED TO	
0 PLC ± -		PRODUCT SPEC	288 POSITION		-	
1 PLC ± 0.25		108-115124	SIZE A2	CAGE CODE 00779	DRAWING NO C=2308107	SCALE 1:1
2 PLC ± 0.15		APPLICATION SPEC	SHEET 2 of 6		REV 12	
3 PLC ± -0.10		WEIGHT 7.0g	CUSTOMER DRAWING			
4 PLC ± -		FINISH -				
ANGLES ± -						
MATERIAL -						

THIS DRAWING IS UNPUBLISHED. RELEASED FOR PUBLICATION  
 © COPYRIGHT - By - ALL RIGHTS RESERVED.


REVISIONS					
P	LTR	DESCRIPTION	DATE	DWN	APVD
-	-	SEE SHEET 1	-	-	-

NATURAL	BLUE(2935U)	15u"	3.85	3.18	6-2308107-5
NATURAL	BLACK	15u"	3.85	3.18	6-2308107-4
NATURAL	BLACK	30u"	3.57	2.67	6-2308107-3
NATURAL	NATURAL	30u"	3.85	3.18	6-2308107-2
GREEN (375C)	BLACK	30u"	3.85	3.18	6-2308107-1
NATURAL	BLACK	30u"	3.85	3.18	6-2308107-0
BLACK	BLACK	30u"	3.85	3.18	5-2308107-9
NATURAL	NATURAL	30u"	3.57	2.10	5-2308107-8
BLACK	BLACK	30u"	3.57	2.10	5-2308107-7
BLACK	BLACK	30u"	3.57	2.67	5-2308107-6
NATURAL	NATURAL	30u"	3.57	2.67	5-2308107-5
BLACK	BLACK	15u"	3.57	2.67	5-2308107-4
NATURAL	NATURAL	15u"	3.57	2.67	5-2308107-3
NATURAL	BLUE(2935U)	15u"	3.57	2.67	5-2308107-2
NATURAL	BLACK	15u"	3.57	2.67	5-2308107-1
LATCH COLOR	HOUSING COLOR	CONTACT GOLD INTERFACE 	DIM H	DIM L	PART NUMBER

SHORT LATCH TYPE

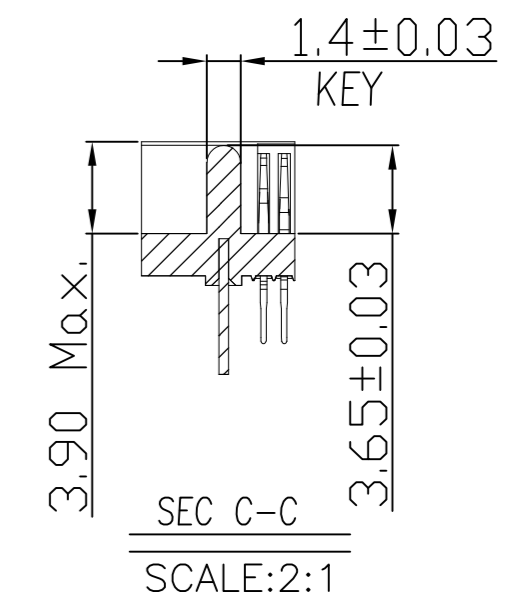
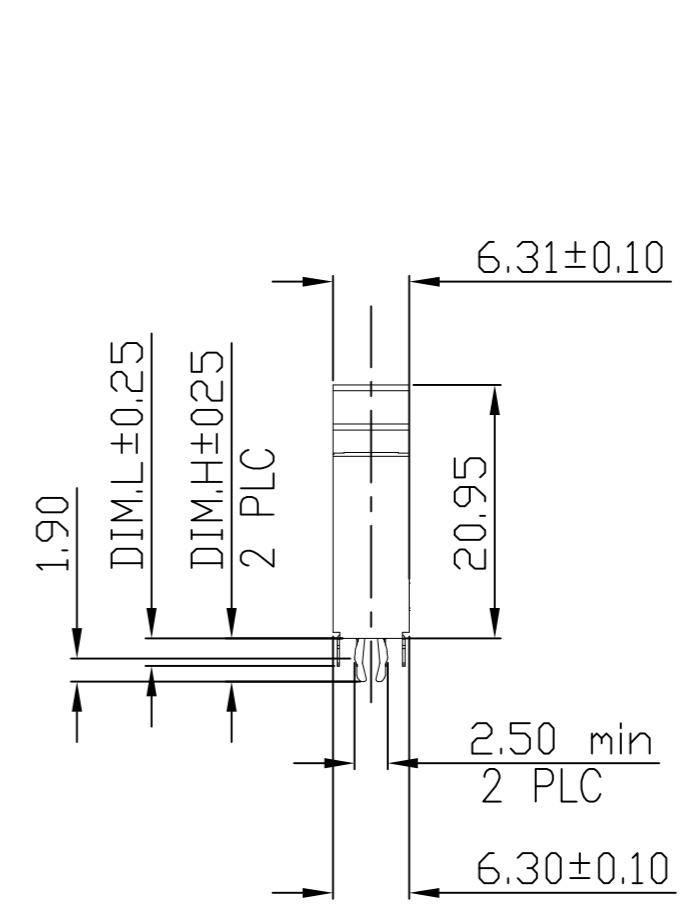
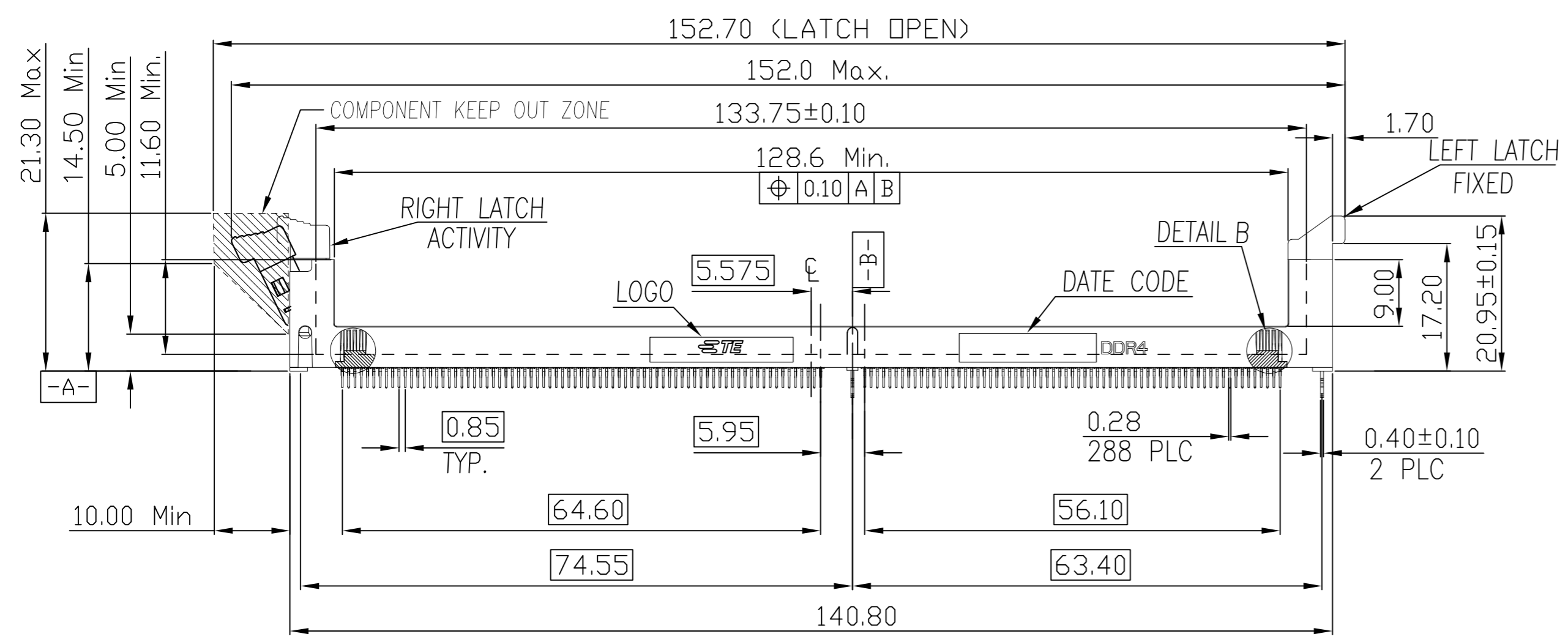
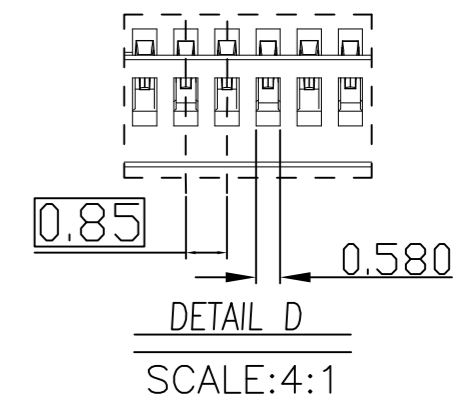
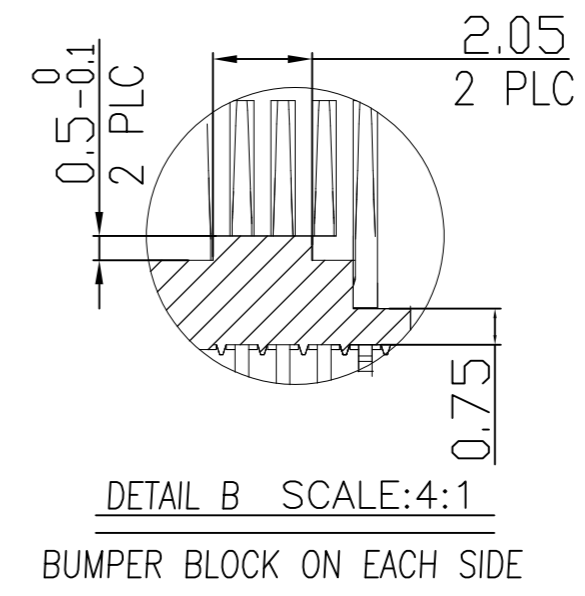
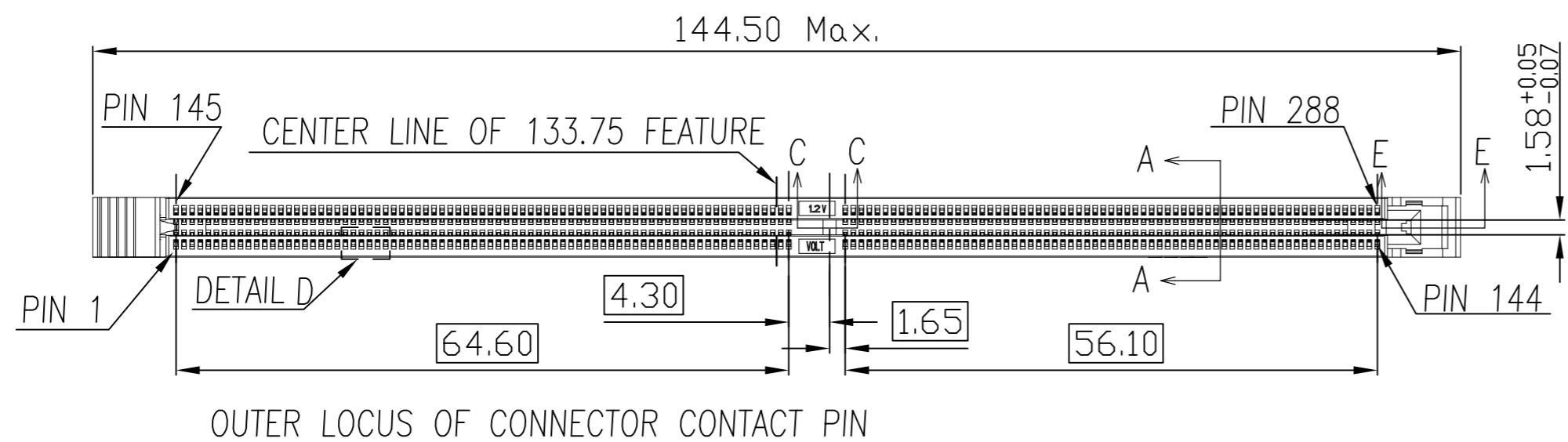
NATURAL	YELLOW	30u"	3.57	2.40	3-2308107-1
NATURAL	BLACK	30u"	3.57	2.40	3-2308107-0
NATURAL	BLACK	15u"	3.57	2.67	2-2308107-7
NATURAL	BLUE(2935U)	15u"	3.57	2.67	2-2308107-4
NATURAL	BLACK	30u"	3.57	2.40	2-2308107-3
NATURAL	BLACK	30u"	3.85	3.18	2-2308107-2
NATURAL	BLACK	15u"	3.57	2.40	2-2308107-1
BLUE(2935U)	BLUE(2935U)	15u"	3.85	3.18	2-2308107-0
GREEN (375C)	GREEN (375C)	15u"	3.85	3.18	1-2308107-9
NATURAL	NATURAL	15u"	3.85	3.18	1-2308107-8
BLACK	BLACK	15u"	3.85	3.18	1-2308107-7
BLACK	BLACK	30u"	3.57	2.10	1-2308107-6
NATURAL	BLACK	30u"	3.57	2.10	1-2308107-5
GREEN (375C)	BLACK	30u"	3.57	2.10	1-2308107-4
BLACK	BLACK	30u"	3.57	2.67	1-2308107-3
NATURAL	BLACK	30u"	3.57	2.67	1-2308107-2
GREEN (375C)	BLACK	30u"	3.57	2.67	1-2308107-1
NATURAL	BLACK	15u"	3.57	2.10	1-2308107-0
NATURAL	BLUE(2935U)	15u"	3.57	2.10	2308107-9
NATURAL	GREEN (375C)	15u"	3.57	2.10	2308107-8
NATURAL	BLACK	15u"	3.85	3.18	2308107-7
NATURAL	BLUE(2935U)	15u"	3.85	3.18	2308107-6
NATURAL	NATURAL	30u"	3.57	2.40	2308107-5
BLACK	BLACK	30u"	3.57	2.40	2308107-4
NATURAL	GREEN (375C)	15u"	3.57	2.40	2308107-3
NATURAL	BLUE(2935U)	15u"	3.57	2.40	2308107-2
BLACK	BLACK	15u"	3.57	2.40	2308107-1
LATCH COLOR	HOUSING COLOR	CONTACT GOLD INTERFACE 	DIM H	DIM L	PART NUMBER

LONG LATCH TYPE

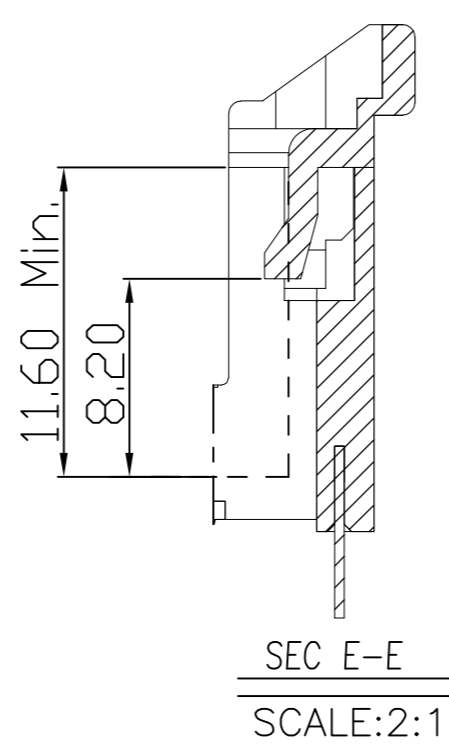
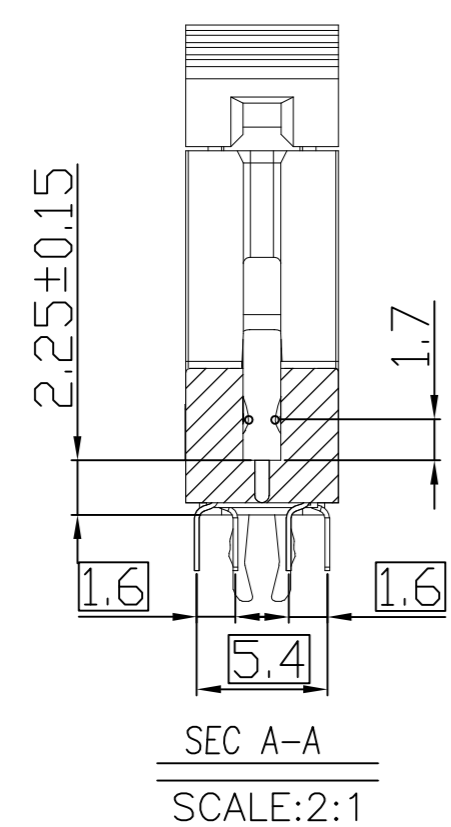
THIS DRAWING IS A CONTROLLED DOCUMENT.		DWN DAVID ZHAO 15AUG2016	 TE Connectivity		
DIMENSIONS: mm		CHK SIMON LI 15AUG2016			
TOLERANCES UNLESS OTHERWISE SPECIFIED:		APVD COREL WANG 15AUG2016	NAME		
0 PLC ± -		PRODUCT SPEC	SOCKET ASSEMBLY		
1 PLC ± 0.25		APPLICATION SPEC	DDR4 DIMM,T/H TYPE		
2 PLC ± 0.15		108	288 POSITION		
3 PLC ± -0.10		-	SIZE A2	CAGE CODE 00779	DRAWING NO C-2308107
4 PLC ± -		WEIGHT -	RESTRICTED TO -		
ANGLES ± -		CUSTOMER DRAWING	SCALE 1:1	SHEET 3 of 6	REV 12
FINISH -					

THIS DRAWING IS UNPUBLISHED. RELEASED FOR PUBLICATION  
 © COPYRIGHT - By - ALL RIGHTS RESERVED.

REVISIONS					
P	LTR	DESCRIPTION	DATE	DWN	APVD
-	-	SEE SHEET 1	-	-	-



# LEFT ACTIVITY LATCH

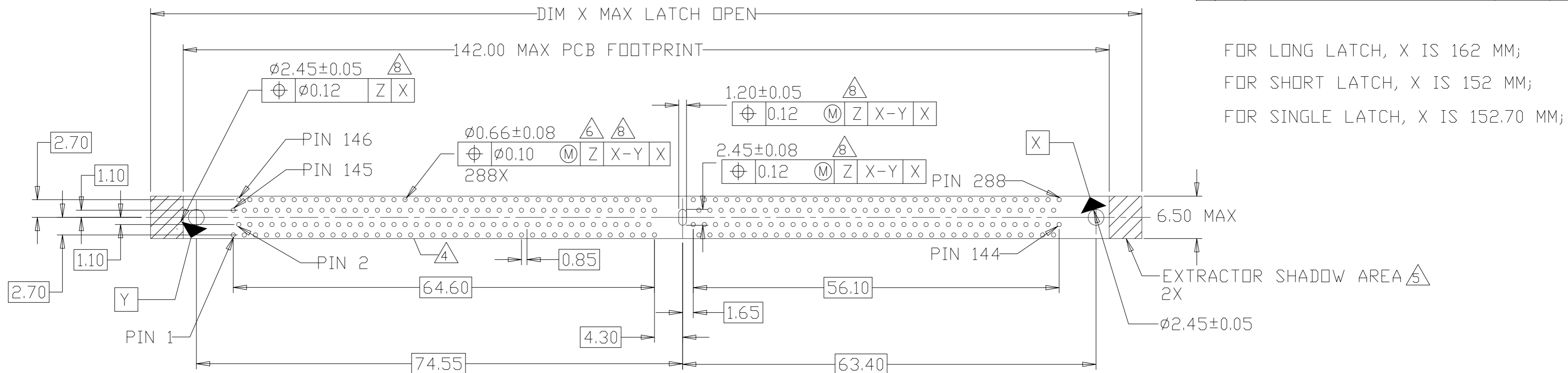


NATURAL	NATURAL	BLUE(2935U)	15u" MIN.	3.85	2.67	9-2308107-2
FIXED LATCH COLOR	ACTIVITY LATCH COLOR	BLACK	CONTACT GOLD INTERFACE	3.85	2.67	9-2308107-1
		HOUSING COLOR		DIM H	DIM L	PART NUMBER

THIS DRAWING IS A CONTROLLED DOCUMENT.		DWN DAVID ZHAO 15AUG2016	TE Connectivity			
DIMENSIONS: mm		CHK SIMON LI 15AUG2016				
TOLERANCES UNLESS OTHERWISE SPECIFIED:		APVD COREL WANG 15AUG2016	NAME			
0 PLC ± -	1 PLC ± 0.25	PRODUCT SPEC	SOCKET ASSEMBLY			
2 PLC ± 0.15	3 PLC ± -0.10	APPLICATION SPEC	DDR4 DIMM,T/H TYPE			
4 PLC ± -	ANGLES ± -	FINISH	288 POSITION			
MATERIAL		WEIGHT 7.6g	SIZE A2	CAGE CODE 00779	DRAWING NO C=2308107	RESTRICTED TO
		CUSTOMER DRAWING	SCALE 1:1	SHEET 4 OF 6	REV 12	

THIS DRAWING IS UNPUBLISHED. RELEASED FOR PUBLICATION  
 © COPYRIGHT - By - ALL RIGHTS RESERVED.

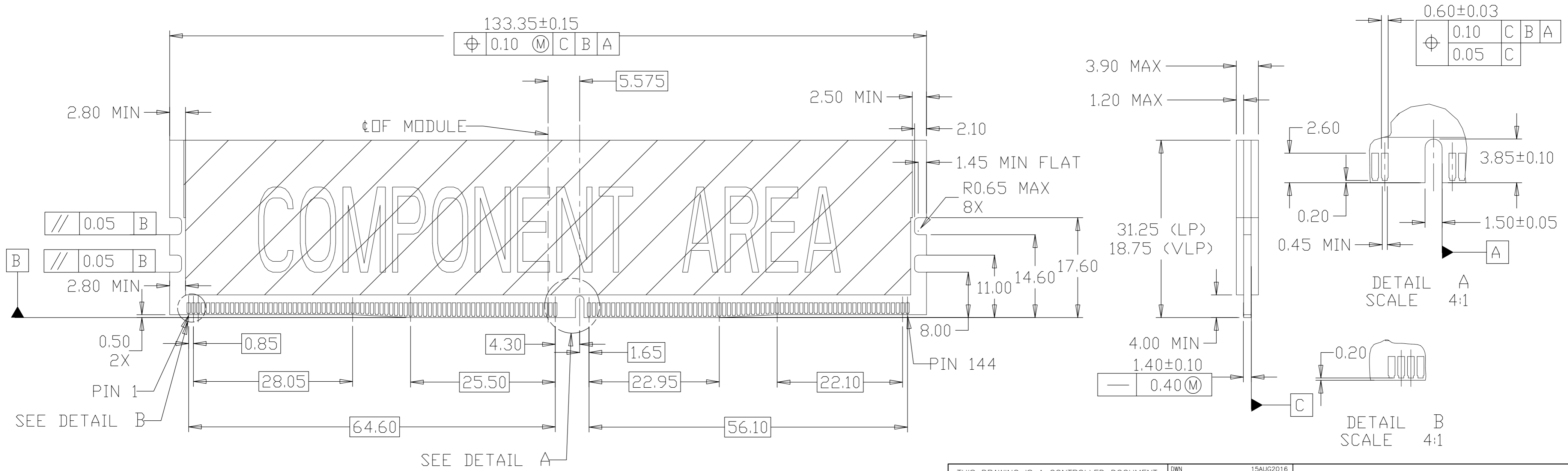
REVISIONS					
P	LTR	DESCRIPTION	DATE	DWN	APVD
-	-	SEE SHEET 1	-	-	-



FOR LONG LATCH, X IS 162 MM;  
 FOR SHORT LATCH, X IS 152 MM;  
 FOR SINGLE LATCH, X IS 152.70 MM;

### RECOMMENDED PCB LAYOUT

VIEWED FROM CONNECTOR SIDE



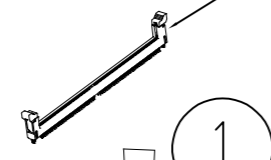
### RECOMMENDED MODULE LAYOUT

THIS DRAWING IS A CONTROLLED DOCUMENT.		DWN DAVID ZHAO 15AUG2016	TE Connectivity	
		CHK SIMON LI 15AUG2016		
		APVD COREL WANG 15AUG2016	NAME	
		PRODUCT SPEC 108	SOCKET ASSEMBLY	
		APPLICATION SPEC	DDR4 DIMM,T/H TYPE	
			288 POSITION	
		WEIGHT	SIZE A2	RESTRICTED TO
		CUSTOMER DRAWING	CAGE CODE 00779	
			DRAWING NO. C=2308107	
			SCALE 1:1	
			SHEET 5 of 6	
			REV 12	

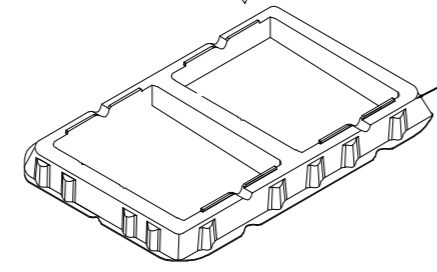
THIS DRAWING IS UNPUBLISHED. RELEASED FOR PUBLICATION  
 © COPYRIGHT - By - ALL RIGHTS RESERVED.

REVISIONS				
P	LTR	DESCRIPTION	DATE	APVD
-	-	SEE SHEET 1	-	-

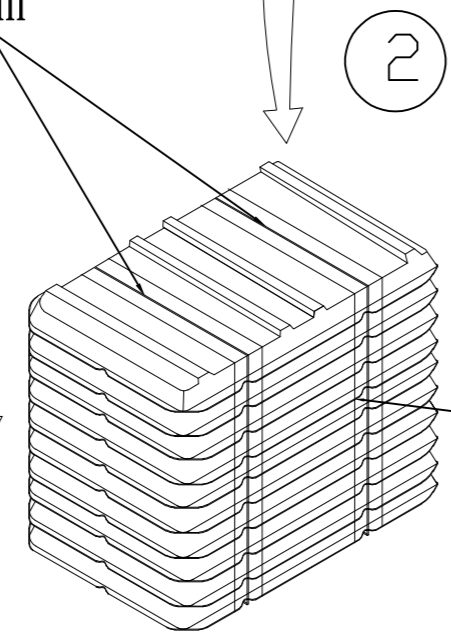
product



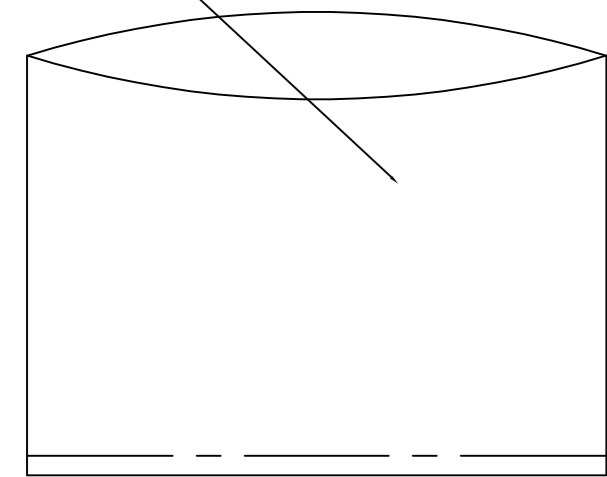
Plastic tray



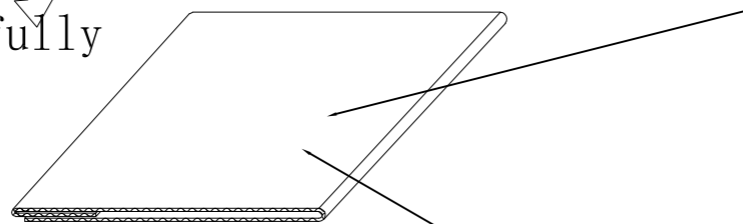
PE film



Waterproof bag

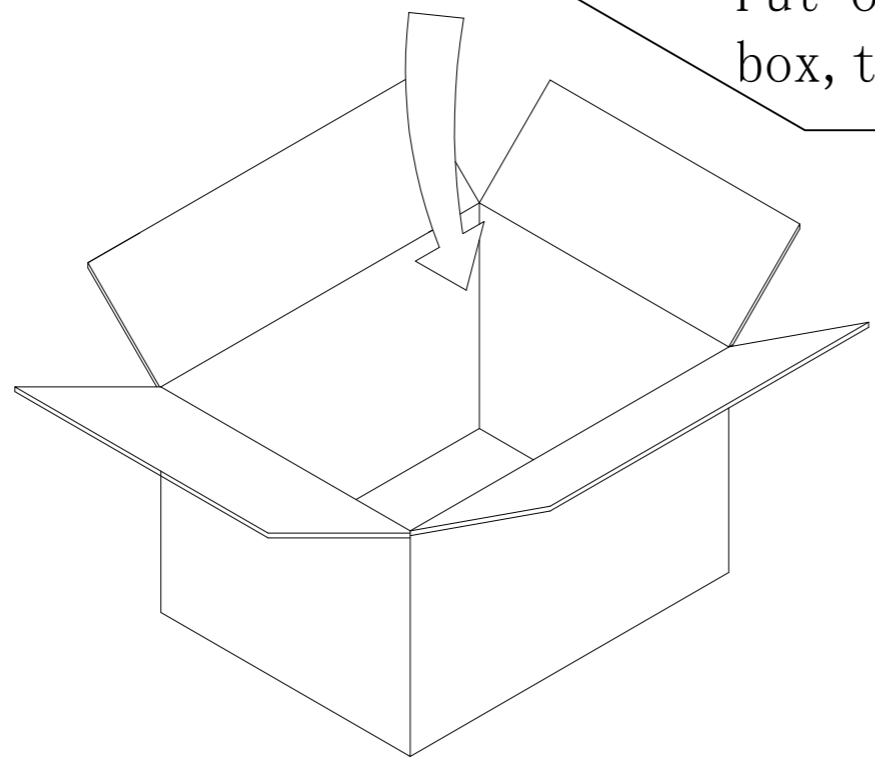


Cover these trays with a waterproof bag fully

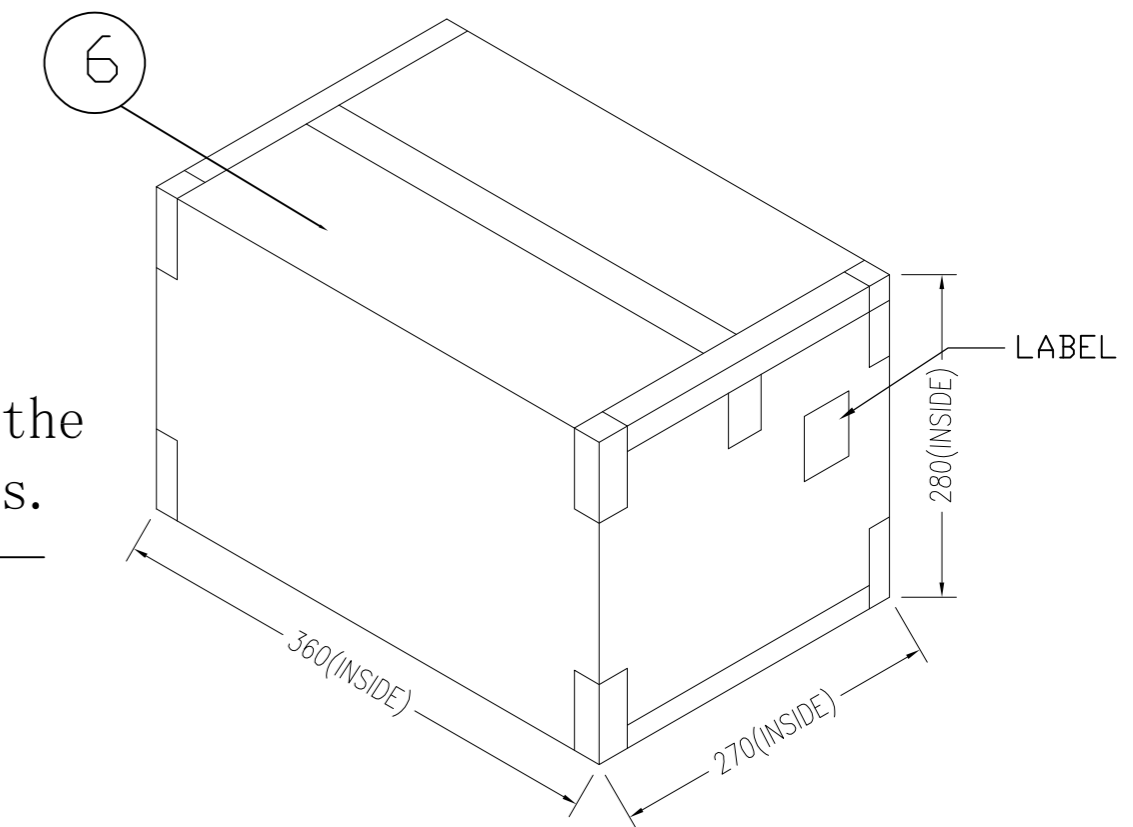


Paper board

Put one of two paper boards into bottom of the box, the other is on top of the plastic trays.



5.4kg	3.5kg	50	10	500
GROSS WEIGHT	NET WEIGHT	PCS/ TRAY	TRAY/ BOX	PCS/ BOX



2308107

THIS DRAWING IS A CONTROLLED DOCUMENT.		DWN DAVID ZHAO 15AUG2016	<b>STE</b> TE Connectivity	
		CHK SIMON LI 15AUG2016		
DIMENSIONS: mm		APVD COREL WANG 15AUG2016	NAME	
TOLERANCES UNLESS OTHERWISE SPECIFIED:		PRODUCT SPEC	SOCKET ASSEMBLY	
0 PLC ± -		108	DDR4 DIMM,T/H TYPE	
1 PLC ± 0.25		APPLICATION SPEC	288 POSITION	
2 PLC ± 0.15		WEIGHT -	SIZE A2	RESTRICTED TO -
3 PLC ± -0.10		CUSTOMER DRAWING	CAGE CODE 00779	DRAWING NO C=2308107
4 PLC ± -		FINISH -	SCALE 1:1	SHEET 6 OF 6
ANGLES ± -				REV 12