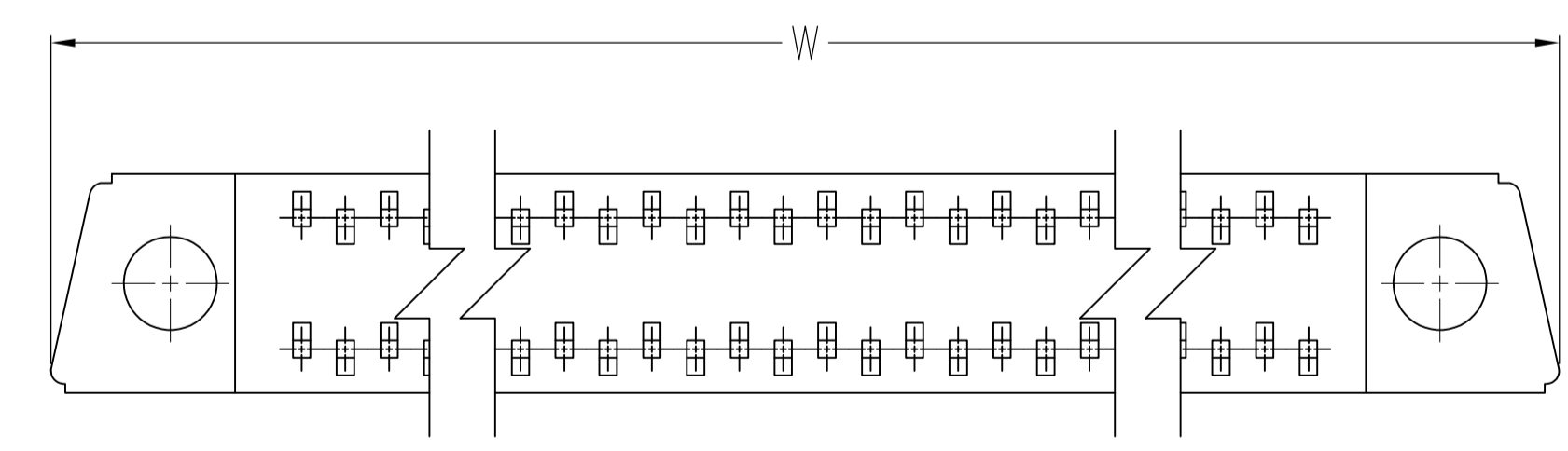
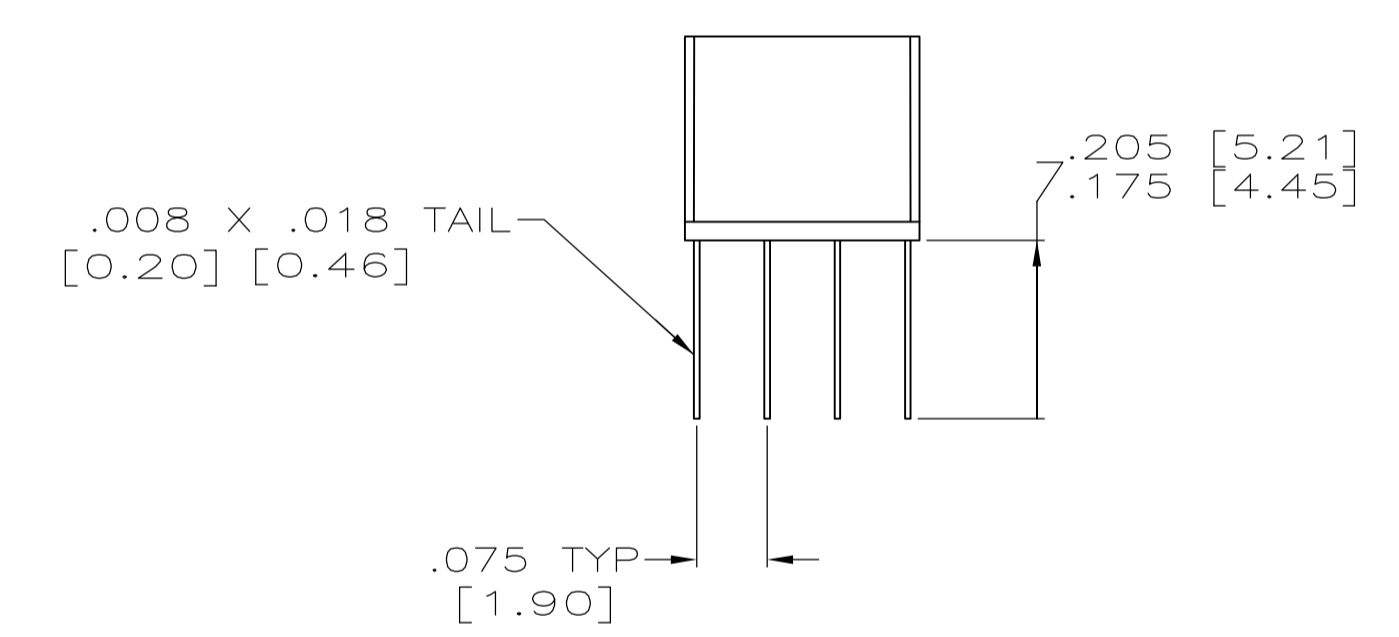
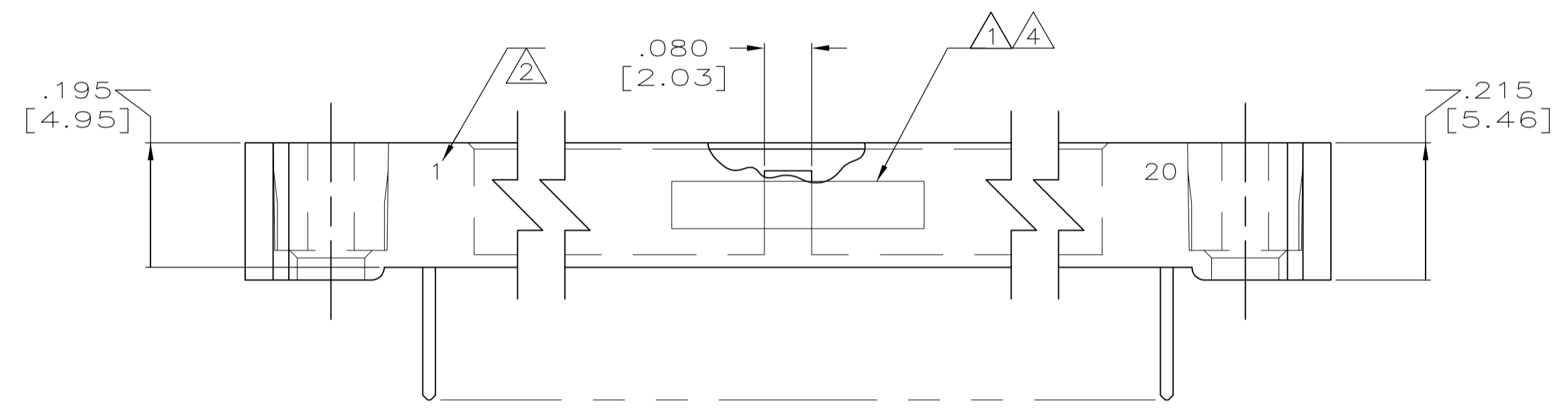
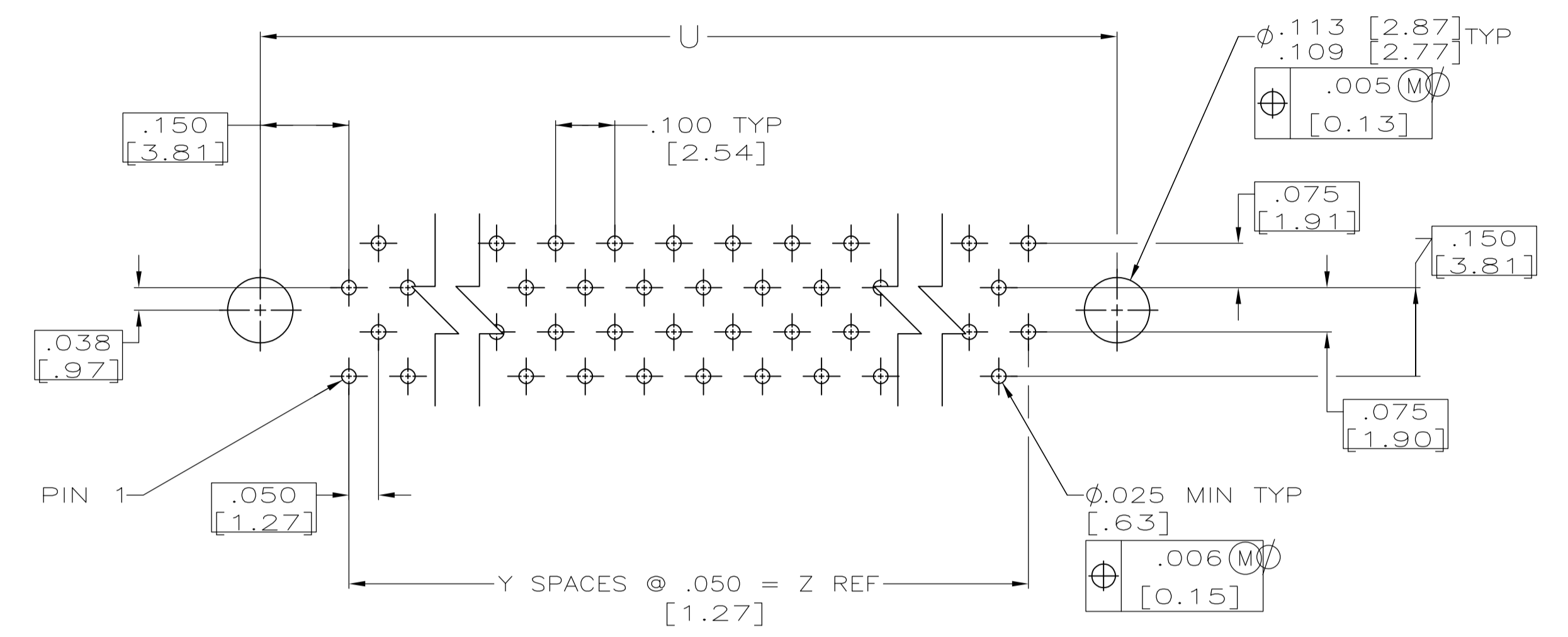
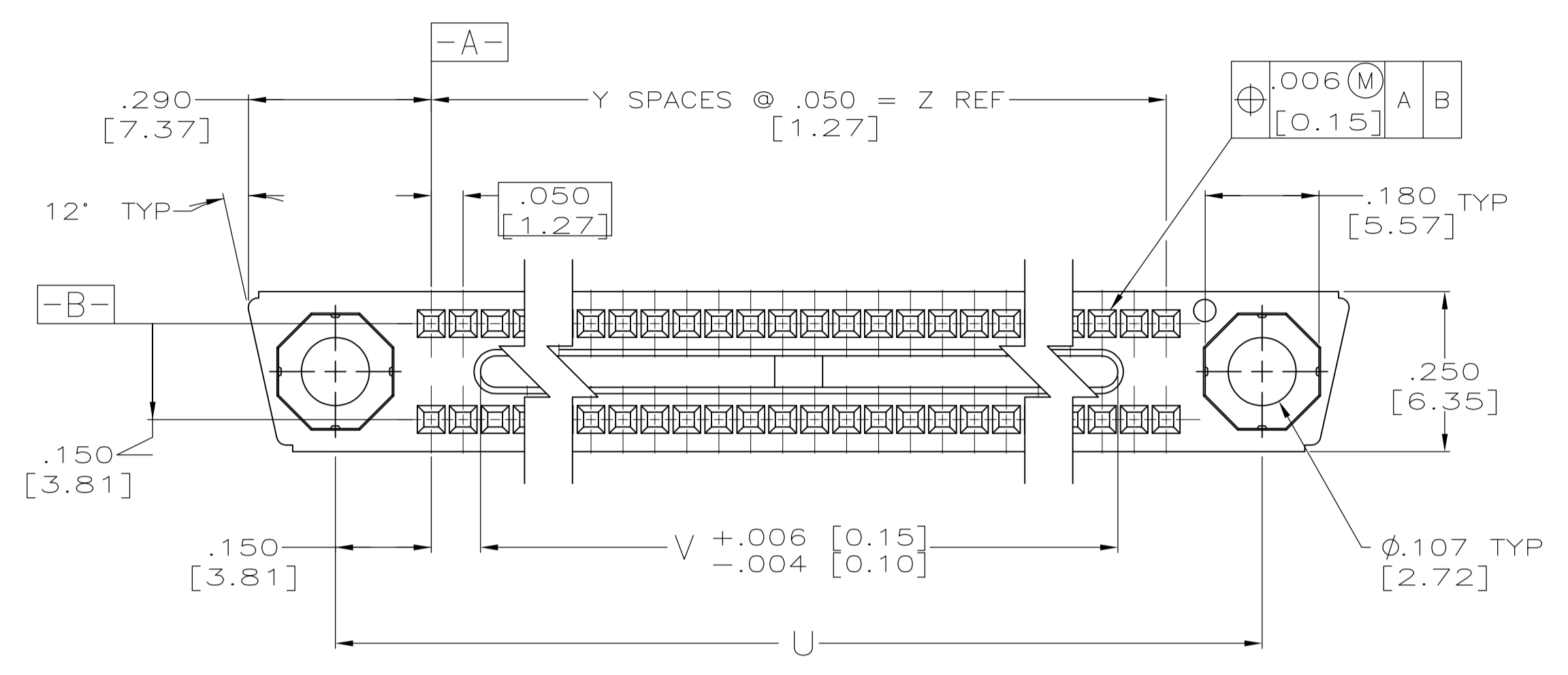


LOC		DIST		REVISIONS			
P	LTR	DESCRIPTION	DATE	DWN	APVD		
G	REV PER ECO	08-009720	27MAY08	PY	JW		



- ① IDENTIFICATION MARKING INCLUDES AMP, PART NO., & DATE CODE.
- ② NUMBERS INDICATING END POSITIONS MARKED THIS SIDE ONLY.
- ③ MEETS ALL APPLICABLE REQUIREMENTS OF MIL-C-55302.
- ④ SPECIAL MARKING FOR -1 ONLY: AMP, DATE CODE, AND CUSTOMER PART NUMBER.
- ⑤ CONTACT FINISH: .000050 GOLD IN CONTACT AREA, TIN-LEAD ON TAILS, ALL OVER .000030 NICKEL.
- ⑥ HOUSING MATERIAL: LIQUID CRYSTAL POLYMER PER MIL-M-24519, GLCP-30F; COLOR: GRAY.

OBSELETE	-	1 - 40	1.950 [49.53]	39	2.540 [64.52]	1.800 [45.72]	2.250 [57.15]	80	531101-2
	PC 78619-2	1 - 64	3.150 [80.01]	63	3.740 [95.00]	3.000 [76.20]	3.450 [87.63]	128	531101-1
	CUSTOMER PART NUMBER	CONTACT IDENT NUMBERS	Z	Y	W	V	U	NUMBER OF CONTACTS	PART NUMBER

THIS DRAWING IS A CONTROLLED DOCUMENT.

DWN: T. ALEXANDER 12-6-91  
 CHK: D. GUTTER 1-3-92  
 APVD: D. GUTTER 1-3-92

Tyco Electronics Corporation  
 Harrisburg, PA 17105-3608

NAME: CONNECTOR ASSEMBLY, MINI-BOX RECEPTACLE CONTACT

PRODUCT SPEC: -  
 APPLICATION SPEC: -  
 WEIGHT: -

SIZE: A1  
 CAGE CODE: 00779  
 DRAWING NO: 531101

RESTRICTED TO: -  
 CUSTOMER DRAWING

SCALE: 1:1 SHEET: 1 OF 1 REV: G