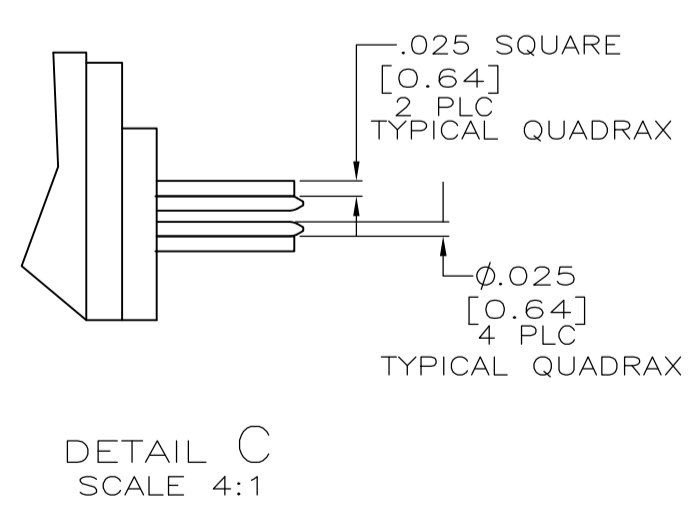
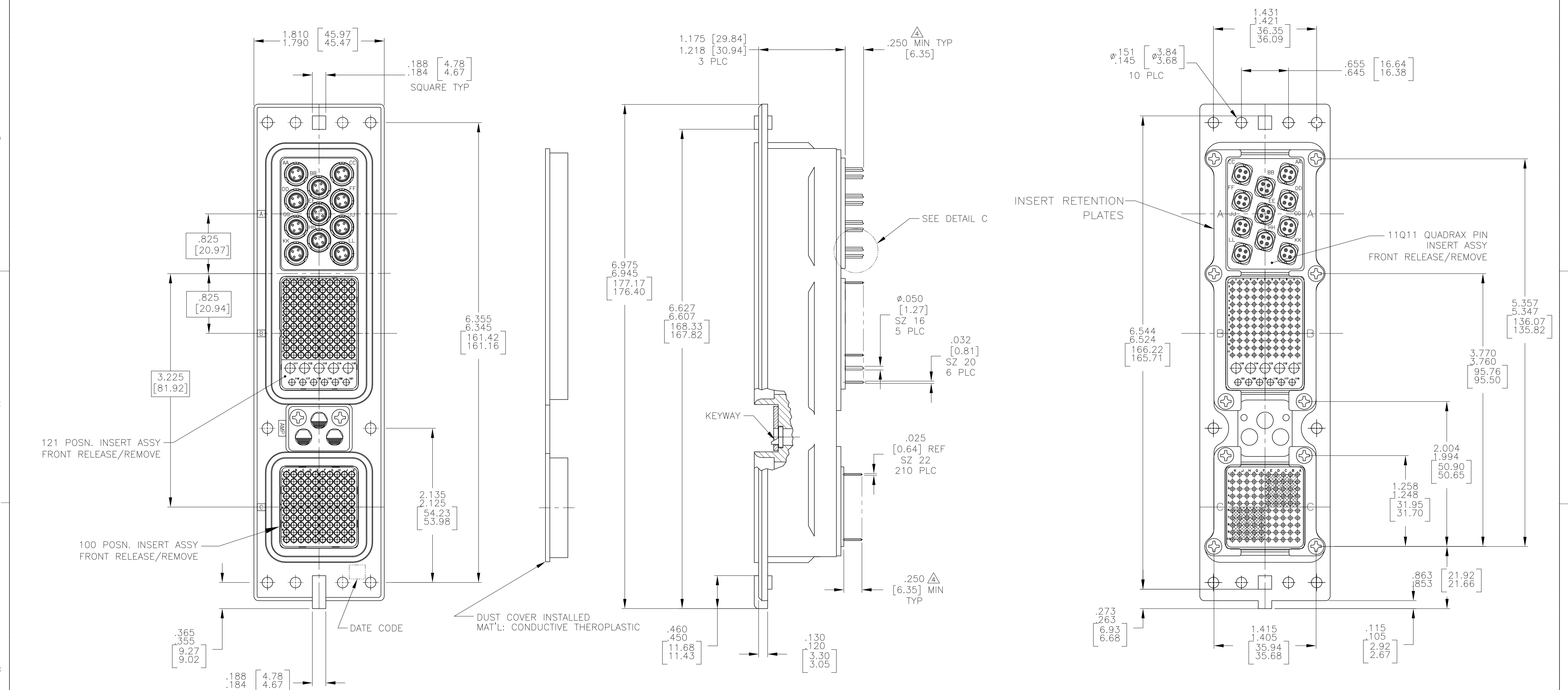


| LOC | DIST | REV | DESCRIPTION             | DATE   | DNW | APVD |
|-----|------|-----|-------------------------|--------|-----|------|
| DF  | AO   | A   | RELEASED FOR PRODUCTION | 5-8-08 | CT  | KT   |



| COMPONENT               | MATERIAL                        | FINISH  |
|-------------------------|---------------------------------|---|
| SHELL                   | DIE CAST ALUMINUM PER ASTM-B-85 | ELECTROLESS NICKEL PER MIL-C-26074, CLASS 3 OR 4, GRADE B |
| RETENTION PLATES        | ALUMINUM ALLOY PER ASTM-B-209   | ELECTROLESS NICKEL PER MIL-C-26074, CLASS 3 OR 4, GRADE B |
| SCREWS AND LOCKWASHERS  | STEEL OR STAINLESS STEEL        | CHROMATE OVER ZINC OR PASSIVATED                          |
| KEYWAY                  | ZINC ALLOY PER ASTM-B-86        | -   |
| KEYWAY RETAINING PLATE  | ALUMINUM ALLOY PER ASTM-B-209   | BLUE ANODIZED PER MIL-A-8625                              |
| 121 & 100 POSN. INSERTS | THERMOSET                       | -   |
| QUADRAX INSERT          | ALUMINUM ALLOY PER ASTM-B-209   | ELECTROLESS NICKEL PER MIL-C-26074, CLASS 3 OR 4, GRADE B |

|                 |   |                                 |
|-----------------|---|---------------------------------|
| "00"            | MODULE A:<br>SIZE 8 QUADRAX: 1445626-4 (QTY=11)   | 1996697-1                       |
|                 | MODULE B:<br>SIZE 22 POSTED SKT CONTACT: 211431-4 (QTY=110)<br>SIZE 20 POSTED PIN CONTACT: 1-448138-5 (QTY=6)<br>SIZE 16 POSTED PIN CONTACT: 1-448139-1 (QTY=5) |                                 |
| KEYING POSITION | MODULE C:<br>SIZE 22 POSTED SKT CONTACT: 211431-4 (QTY=100)   | CONTACTS INCLUDED AND INSTALLED |

- CONNECTOR DIMENSIONS ARE PER ARINC 600 SPECIFICATION UNLESS OTHERWISE SPECIFIED.
- CONNECTOR IS SUPPLIED WITH CONTACTS (PER TABLE) ASSEMBLED AS SHOWN.
- KEYING SHOWN IN POSITION "01" FOR REFERENCE ONLY. SEE TABLE FOR KEYING POSITION. FOR POSITION "00" KEYING SHIPPED UNASSEMBLED.
- WITH CONTACT FULLY SEATED TO REAR OF CAVITY.
- CONTACTS NOT SHOWN IN MODULE B & C FRONT AND REAR VIEWS FOR CLARITY.

|   |  |                            |  |
|---|--|----------------------------|--|
| THIS DRAWING IS A CONTROLLED DOCUMENT.  |  | DNW: C.C. THOMAS 4-29-08   | Tyco Electronics Corporation                       |
| DIMENSIONS: INCHES [mm]   |  | CHK: K. THACKSTON 4-29-08  | Harrisburg, Pa 17105-3608                          |
| TOLERANCES UNLESS OTHERWISE SPECIFIED:  |  | APRD: K. THACKSTON 4-29-08 | NAME: RCPT ASSY, SIZE 2, ARINC 600 (11Q11/121/100) |
| 0 PLC ± -<br>1 PLC ± -<br>2 PLC ± -<br>3 PLC ± .002 [0.05]<br>4 PLC ± -<br>ANGLES ± - |  | PRODUCT SPEC               | SIZE: A1   |
| MATERIAL: SEE TABLE   |  | FINISH: SEE TABLE          | WEIGHT: -  |
|   |  | RESTRICTED TO: -           | CAGE CODE: 00779                                   |
|   |  | CUSTOMER DRAWING           | DRAWING NO: 1996697                                |
|   |  | SCALE: 3:2                 | SHEET: 1 OF 1                                      |