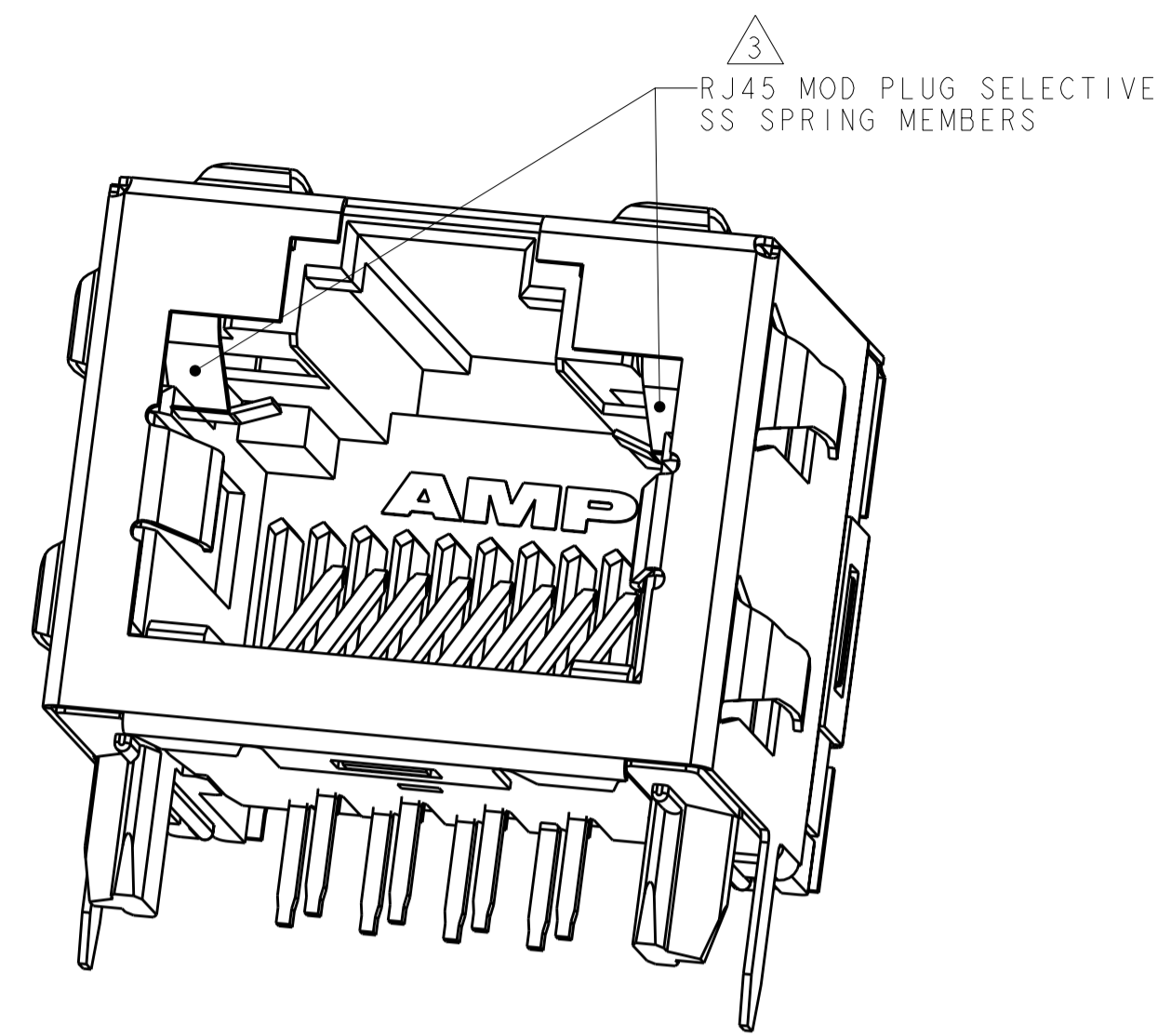
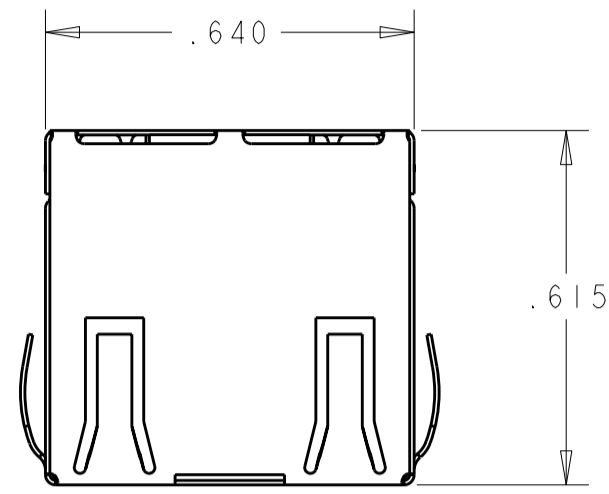


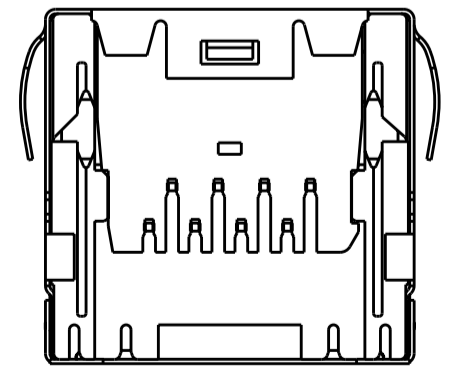
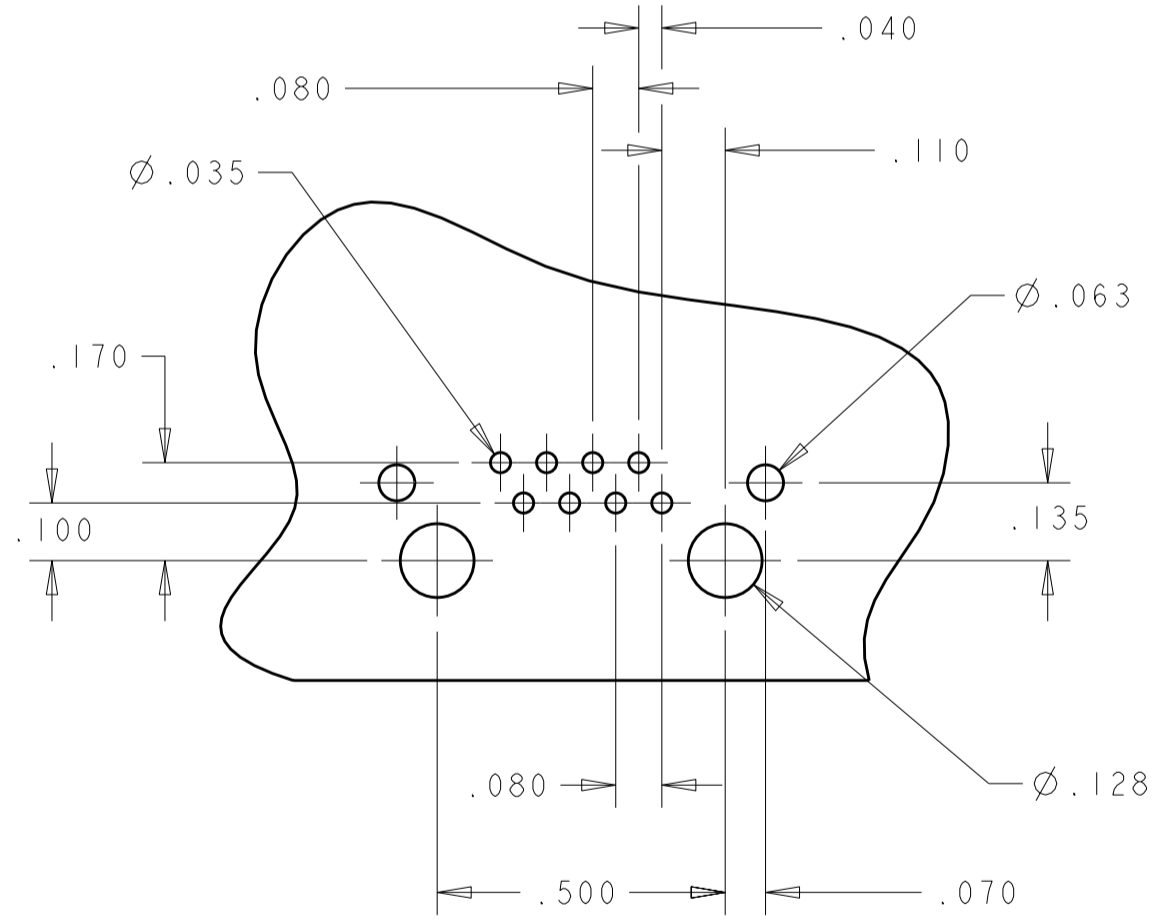
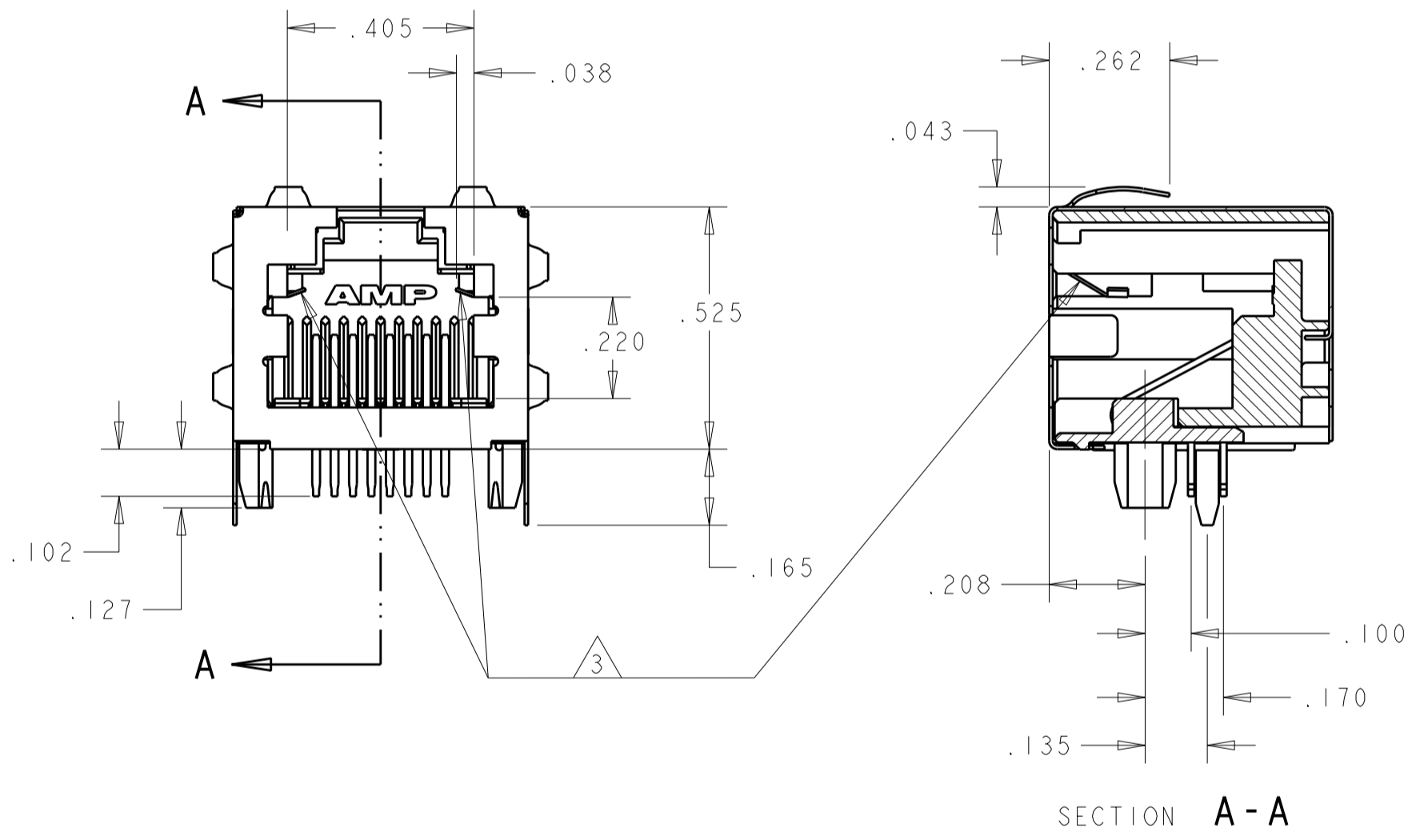
THIS DRAWING IS UNPUBLISHED. RELEASED FOR PUBLICATION
 © COPYRIGHT 20 BY TYCO ELECTRONICS CORPORATION. ALL RIGHTS RESERVED.

| LOC | DIST | REVISIONS | | | | |
|-----|------|----------------------|-----------|-----|------|--|
| P | LTR | DESCRIPTION | DATE | DWN | APVD | |
| AA | 00 | | | | | |
| | E | REV PER 0S15-0134-05 | 29SEP2005 | RG | JW | |
| | F | ECO-08-000390 | 10JAN2008 | LAM | JW | |



- MATERIAL:
 HOUSING - HIGH TEMPERATURE THERMOPLASTIC, PER UL94V-0, COLOR: BLACK
 TERMINALS - .014 THICK PHOSPHOR BRONZE.
 PLATING - 50 MICRO INCHES GOLD IN CONTACT AREA 150 MICRO INCHES TIN-LEAD ON SOLDER TAILS, ALL OVER 50 MICRO INCHES OF NICKEL.
 SHIELD - .0077 THICK COPPER-ZINC ALLOY, PREPLATED WITH 50 MICRO INCHES MINIMUM SATIN NICKEL WITH 80 MICRO INCHES MINIMUM TIN POST DIPPED ON PCB GROUND TABS.
 - JACK CAVITY CONFORMS TO FCC RULES AND REGULATIONS PART 68, SUBPART F.
- 3 RJ45 MOD PLUG SELECTIVE - THIS CONNECTOR UTILIZES 2 STAINLESS STEEL SPRING MEMBERS WHICH PREVENT THE INSERTION OF A RJ11 (6 POSITION) PLUG INTO THE JACK PORT, WHILE ALLOWING A RJ45 (8 POSITION) PLUG TO MATE FREELY.
- WARNING: THIS FEATURE WAS DEVELOPED FOR TYPICAL PLUG INSERTION FORCES. EXCESSIVE INSERTION FORCE MAY OVERCOME THE SELECTIVE FEATURES AND DAMAGE THE CONNECTOR.

SCALE 6:1



1364288-1
PART NUMBER

| | | | |
|--|--|---|--|
| THIS DRAWING IS A CONTROLLED DOCUMENT FOR TYCO ELECTRONICS CORPORATION IT IS SUBJECT TO CHANGE AND THE CONTROLLING ENGINEERING ORGANIZATION SHOULD BE CONTACTED FOR THE LATEST REVISION. | | DWN A HASIRCOGLU 07FEB00 CHK D DIXON 25MAY00 APVD D SUMMERS 25MAY00 | tyco Electronics Tyco Electronics Harrisburg, PA 17105-3608 |
| DIMENSIONS: INCHES | TOLERANCES UNLESS OTHERWISE SPECIFIED: 0 PLC ± 1 PLC ± 2 PLC ±.01 3 PLC ±.005 4 PLC ± ANGLES ±° FINISH | PRODUCT SPEC 108-1163-4 APPLICATION SPEC 114-2154 WEIGHT - | NAME INVERTED MODULAR JACK ASSEMBLY, 1X1, SHIELDED, PANEL GROUNDS, RJ45 MOD PLUG SELECTIVE CAPABILITY |
| SEE NOTE 1 | SEE NOTE 1 | SIZE A200779 | CAGE CODE C-1364288 |
| CUSTOMER DRAWING | | SCALE 3:1 | SHEET 1 OF 1 REV F |