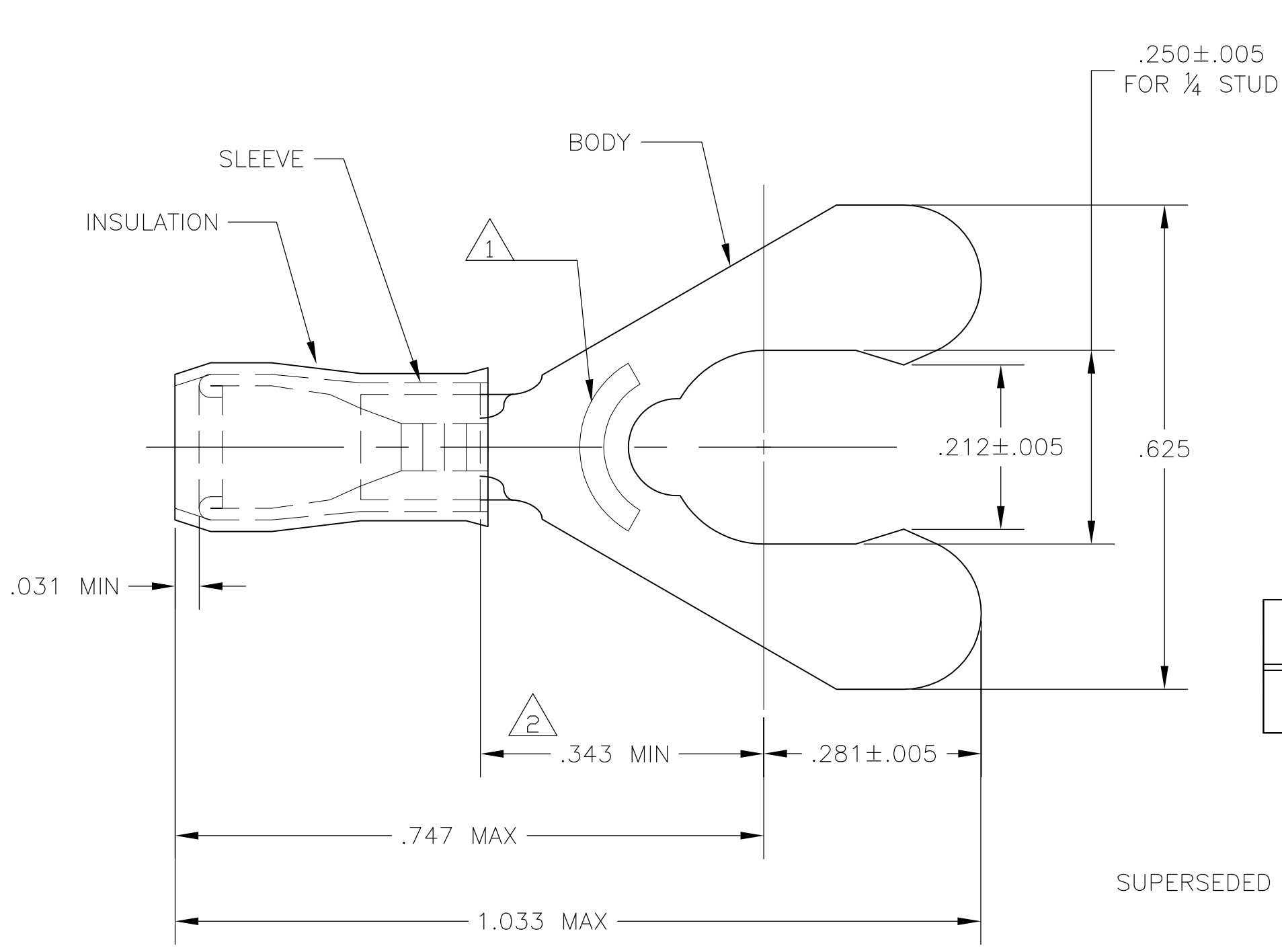


THIS DRAWING IS UNPUBLISHED. RELEASED FOR PUBLICATION
 © COPYRIGHT BY TYCO ELECTRONICS CORPORATION. ALL RIGHTS RESERVED.

| LOC | DIST | REVISIONS | | | | | |
|-----|------|-----------|-----|-----------------------|---------|-----|------|
| G | 14 | P | LTR | DESCRIPTION | DATE | DWN | APVD |
| | | F2 | | REV PER ECR 10-006117 | 19MAR10 | JR | TM |



- 1 STAMP 1/4S AMP 22-18*, APPROX AS SHOWN. 22-16 TERMINALS ARE STAMPED 22-18 IN ACCORDANCE WITH MILITARY SPEC SAE-AS7928, COMMERCIAL WIRE RANGE IS 22-16.
- 2 APPLIES FROM EDGE OF METAL WIRE BARREL TO CENTER OF STUD HOLE.
- 3 TONGUE MATERIAL THK IS .031±.002
- 4 BODY - PHOS BRONZE PER ASTM B-103 SLEEVE - COPPER PER ASTM B-152 INSULATION - NYLON
- 5 BODY - TIN PLATE PER ASTM B545 SLEEVE - TIN PLATE PER ASTM B545 INSULATION - COLOR - RED
- 6 WIRE INSULATION DIA .080-.125 DIA

| | | |
|--------------------------------|--------------------------------|--------------------------------|
| AMP WIRE RANGE | Listed FILE E13288 | LR7189 Certified |
| 22-16 AWG SOLID OR STRANDED | 22-16 AWG SOLID OR STRANDED | 22-16 AWG SOLID OR STRANDED |

SUPERSEDED BY 52933
OBSOLETE

| 100 | LOOSE PIECE, BOX | 8-52933-1 |
|------|------------------|-----------|
| BULK | LOOSE PIECE | 8-52933-0 |
| 1000 | LOOSE PIECE | 52933 |
| QTY | PACKAGE TYPE | PART NO |

| | | | | | | | |
|--|--|---|--|---|---------------------------------|--|--------------------|
| CUSTOMER SERVICE SYSTEMS | | MAX RECOMMENDED OPERATING TEMPERATURE: 105°C | THIS DRAWING IS A CONTROLLED DOCUMENT. | | DWN jr_ruth 18MAR10 | Tyco Electronics Corporation Harrisburg, PA 17105-3608 | |
| FOR ADDITIONAL PRODUCT INFORMATION OR COPIES OF DRAWINGS AND TECHNICAL DOCUMENTS | PRODUCT INFORMATION CENTER 1-800-522-6752 | VOLTAGE RATING: 300 V MAX | DIMENSIONS: INCHES | TOLERANCES UNLESS OTHERWISE SPECIFIED: | CHK T MICHELUTTI 18MAR10 | NAME TERMINAL, SHORT SPRING SPADE, PIDG, WIRE SIZE: 22-16 AWG | |
| FOR APPLICATION TOOLING INFORMATION | TOOLING ASSISTANCE CENTER 1-800-722-1111 | CIRCULAR MIL AREA: 0.26-1.65mm² [509-3260] SOLID OR STRANDED | | 0 PLC ± - 1 PLC ± - 2 PLC ± - 3 PLC ± .008 4 PLC ± - ANGLES ± 5° | APVD T MICHELUTTI 18MAR10 | PRODUCT SPEC | SIZE A3 |
| FOR ORDER ENTRY | 1-800-526-5142 | THIS DRAWING IS A CONTROLLED DOCUMENT FOR AMP INCORPORATED. IT IS SUBJECT TO CHANGE AND THE CONTROLLING ENGINEERING ORGANIZATION SHOULD BE CONTACTED FOR THE LATEST REVISION. | MATERIAL - 4 | FINISH - 5 | APPLICATION SPEC | APPLICATION SPEC | CAGE CODE 00779 |
| | | | | | WEIGHT - | DRAWING NO G-52933 | RESTRICTED TO - |
| | | | | | CUSTOMER DRAWING | | SCALE 6:1 |
| | | | | | | | SHEET 1 OF 1 |
| | | | | | | | REV F2 |