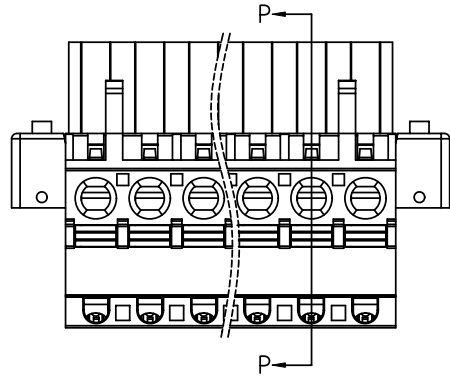


|                |         |
|----------------|---------|
| PRODUCT NUMBER | PITCH   |
| H4xx50xC00J0G  | 5.08 mm |



Dimension

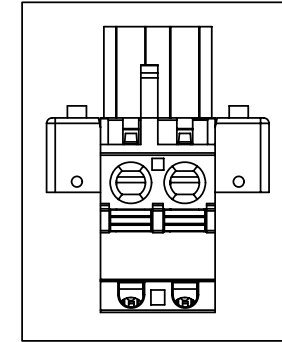
|       |                             |
|-------|-----------------------------|
| DIM A | $N \times 5.08 + 0.62$      |
| DIM B | $(N-1) \times 5.08$         |
| DIM C | $(N-1) \times 5.08 + 10.16$ |
| DIM D | $(N-1) \times 5.08 + 15.86$ |

N=Number of poles

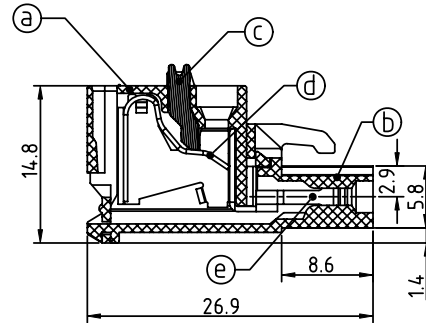
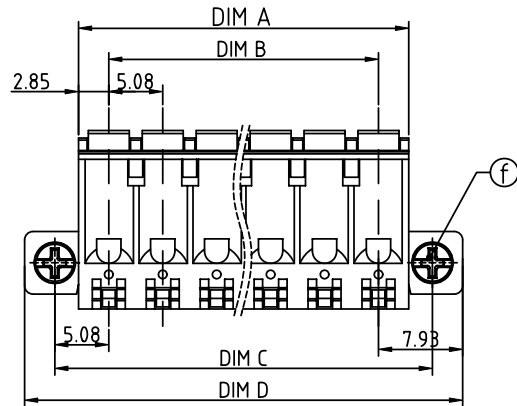
| POLES   | Tolerance  |
|---------|------------|
| 2p-6p   | $\pm 0.15$ |
| 7p-12p  | $\pm 0.25$ |
| 13p-16p | $\pm 0.35$ |
| 17p-24p | $\pm 0.40$ |

PART NO.: H4 xx 5 0 x C 00J 0 G

|              |          |                 |  |
|--------------|----------|-----------------|--|
| Solid block  | 0        | Black (RAL9005) | RoHS compliant<br>(lead<4%)<br>In copper Alloy |
| No. of poles | 2        | Red (RAL3001/D) |  |
| 02           | 2 poles  | 3               | Orange(RAL2011/P)                              |
| 03           | 3 poles  | 4               | Yellow(RAL1018/A)                              |
| ...          | ...      | 5               | Green(RAL6018/T)                               |
| 24           | 24 poles | 6               | Blue (RAL5015/A)                               |
|              |          | 8               | Grey(RAL7035/D)                                |
|              |          | 9               | White(RAL1102)                                 |
|              |          | C               | Green(RAL6018/U)                               |



2P



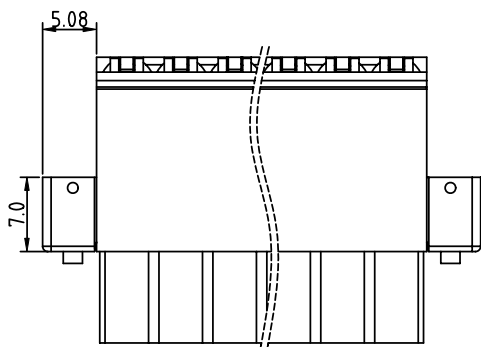
SECTION P-P

Material:

- Item@Top body:Thermoplastic ( UL94V-0 )
- Item@Bottom body:Thermoplastic ( UL94V-0 )
- Item@Terminal lever:Thermoplastic ( UL94V-0 ) Orange (RAL2001/P)
- Item@Spring Clamp:Stainless Steel
- Item@Female contact:PhBz ( CuSn ) Tin plated
- Item@Flange screw:Steel Zinc plating M2.5"+/-"combination type

Electrical cULus

- Voltage rating:300V
- Current rating:10A
- Solid wire(AWG):12-26
- Stranded wire(AWG):12-26
- Wire strip length:9-10mm
- Withstanding Voltage:1.6KV
- Operating temperature:-40°C to +115°C
- Safety Approval:



|             |                |                       |                         |                          |  |  |
|-------------|----------------|-----------------------|-------------------------|--------------------------|--|--|
| mat'l. code |                | surface<br>ASME Y14.5 | tolerance<br>ASME Y14.5 | projection<br>           | product family<br>TERMINAL BLOCK   |  |
| ltr         | ecn no         | dr                    | date                    | <br>MM<br>scale          | title<br>TERMINAL BLOCK<br>SPRING CLAMP,PLUGGABLE PLUG<br>WITH FLANGE,HOOK ON ENTRY SIDE |  |
|             |                |                       |                         |                          | dwg no<br>H4xx50xC00J0G  |  |
|             |                |                       |                         |                          | sheet 1 of 1 size<br>A4  |  |
|             |                |                       |                         | type<br>CUSTOMER Drawing |  |  |
| sheet index | revision sheet | A                     | 1                       |                          |  |  |