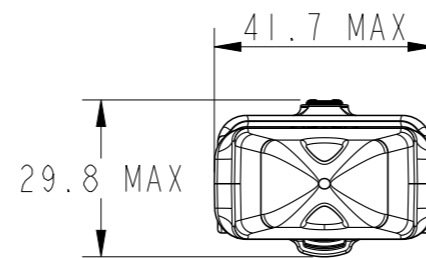
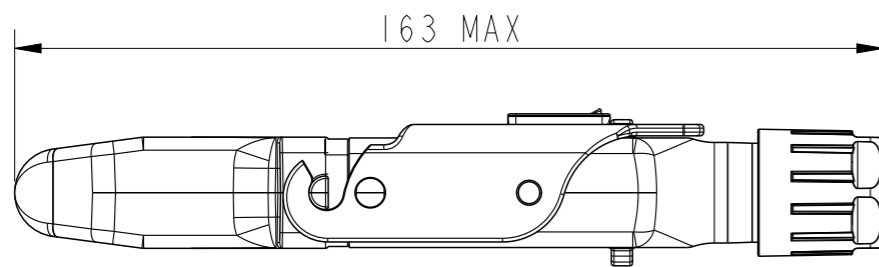
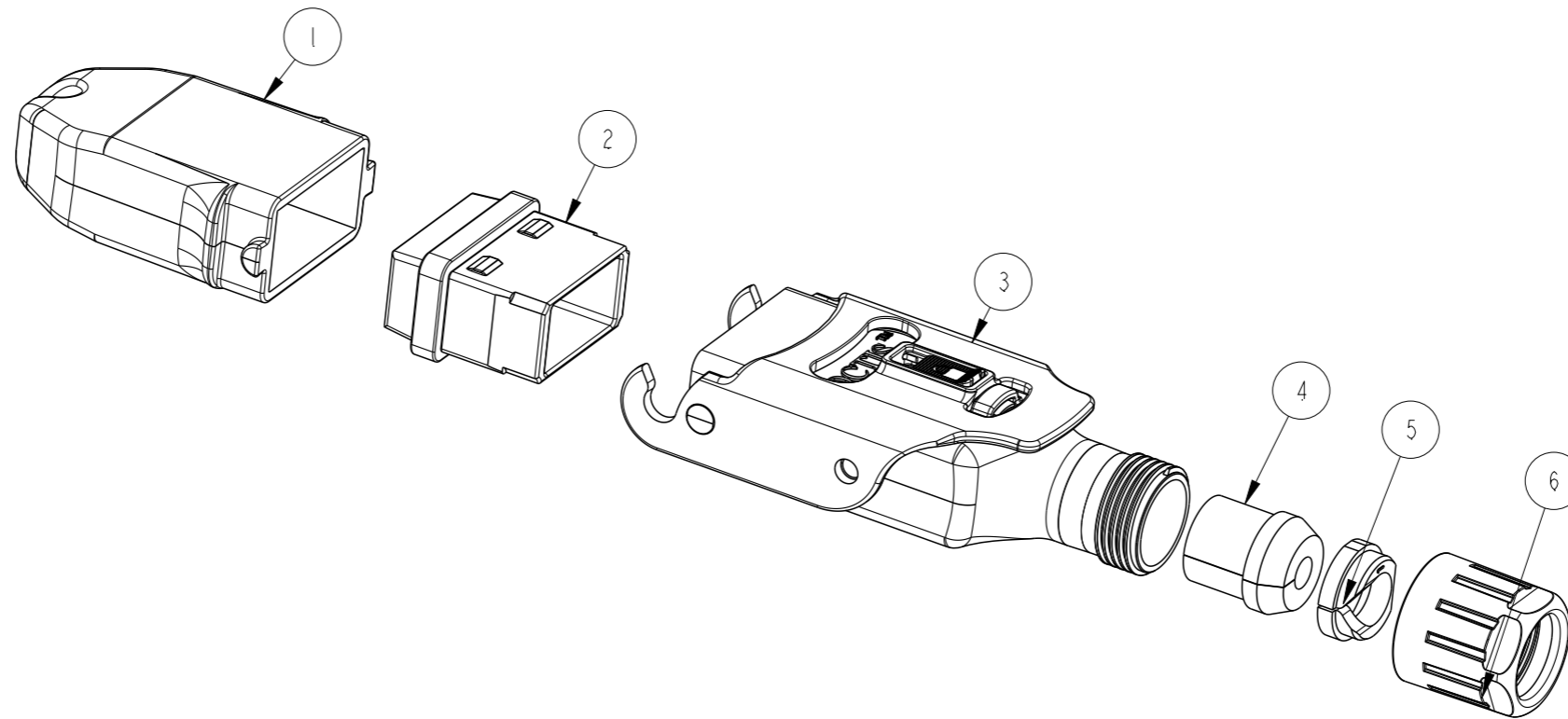


PART NUMBER
10145289-XYZLF

SEE TABLE

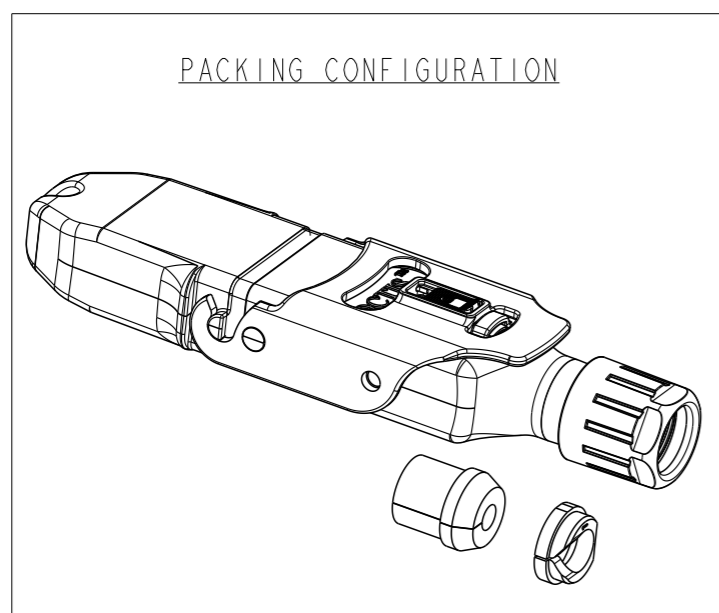
OCTIS WIDE BODY UNIVERSAL PLUG KIT SUITABLE FOR MPO TO QSFP



BOM OF PLUG KIT PART NO. 10145289-XYZLF				
SL.NO	COMPONENT	MATERIAL	QTY	REMARKS
1	PLUG CAP	PBT GF	1	-
2	HOLDER SUB KIT	SILICONE+PBT GF	1	-
3	HOUSING SUB KIT	PBT GF+IXEF	1	-
4	SPLIT RUBBER GLAND	SILICONE	1	-
5	TIGHTENING CONE	PA	1	-
6	NUT	PBT GF	1	COLOUR BLUE

AFCI PN	RUBBER GLAND DIA	CABLE SPEC	QTY
10145289-101LF	6MM	FOR Ø6MM GLAND- OD 4.6MM MIN TO 5.6MM MAX.	1
10145289-102LF	8MM	FOR Ø8MM GLAND- OD 6.6MM MIN TO 7.95 MM MAX.	1
10145289-201LF	6MM,8MM		2

OPTIONAL RUBBER GLAND DIA OF 7MM,9MM & 10 MM AVAILABLE ON REQUEST



spec ref	dr	B T Varghese	2018/01/16	projection	mm	size	A3	scale	3:10	
tolerance std	eng	B T Varghese	2018/01/18			ecn no		-		
TOLERANCES UNLESS OTHERWISE SPECIFIED						product family		OCTIS		rel level
surface	linear	0.X	±0.3			cat. no.		Product - Customer Drw		sheet 1 of 2
		0.XX	±.13							
ISO 1302	angular	0°	±2°	OCTIS WIDE BODY UNIVERSAL PLUG KIT FOR MPO TO QSFP OCTIS FIELD TERMINABLE,PITCH 41 MM		dwg no		10145289		rev

GENERAL CHARACTERISTICS

Mechanical		
Mating endurance (cycles)	IEC 61300-2-2	100
Axial Tensile load (N min)	IEC 61300-2-4	150
Vibration	IEC 61300-2-1	-
Recom. coupling torque (N.cm)	-	200 min / 250 max
Weight (g)	-	64.87
Environmental		
Protection class (mated condition)	IEC 60529	IP67 (*)
Operating temperature (°C)	IEC 61300-2-22	-40 / +85
Storage temperature (°C)	IEC 61300-2-22	-40 / +85
Humidity (damp heat) (%RH)	IEC 61300-2-19	5 / 95
Salt Mist	IEC 61300-2-26 (ISO21207 method B)	720h (To be tested) (*)
RoHS	-	Compliant
Flammability	UL 94	V0
UVB Resist	ASTM G154	Compliant
Others:		
Cable	-	Diameter Cable TBD ± 0.2 mm For other cable diameter, contact us.
Packaging	-	Unitary in plastic bag. With assembly note

(*) Mated condition

spec ref	dr	B T Varghese	2018/01/16	projection	mm	size	A3	scale	3:10
tolerance std	eng	B T Varghese	2018/01/18			ecn no -			
TOLERANCES UNLESS OTHERWISE SPECIFIED						product family	OCTIS	rel level Released	
surface	linear	0.X	±0.3		cat. no.	Product - Customer Drw	sheet 2 of 2	rev A	dwg no 10145289
		0.XX	±.13						
		0.XXX	±.050						
ISO 1302	angular	0°	±2°	WIDE BODY UNIVERSAL PLUG KIT FOR MPO TO QSFP OCTIS FIELD TERMINABLE, PITCH 41 MM					